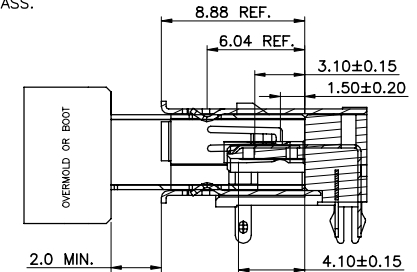
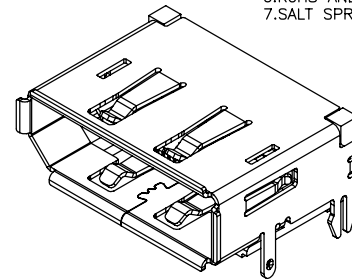
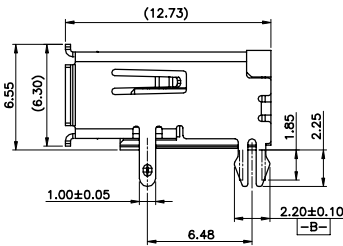
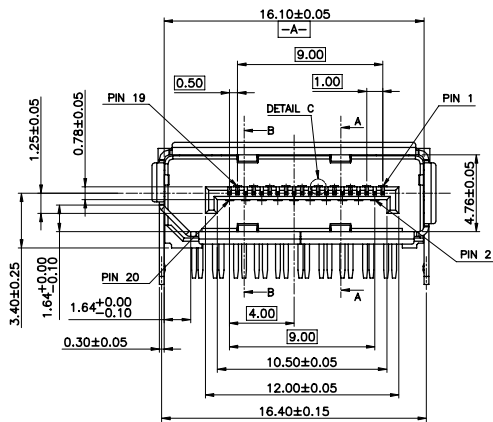
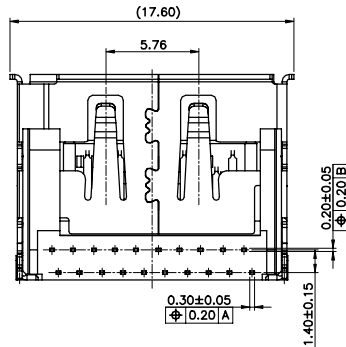
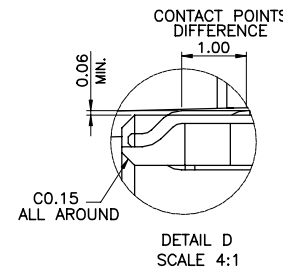
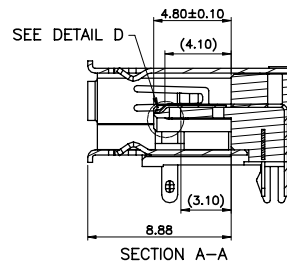
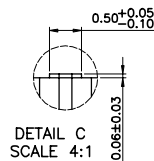


RECOMMENDED P.C.B. LAYOUT (COMPONENT SIDE VIEW)  
TOL IS ±0.05 THK=1.60 ALL POSITION TOL

- NOTE:
- MATERIAL:
    - HOUSING: LCP E130I UL94V-0, COLOR: BLACK
    - CONTACT: COPPER ALLOY C2680, T=0.20mm
    - SHELL: STEEL ALLOY SUS304, T=0.30mm
  - PLATING:
    - TERMINAL:
      - GOLD PLATED (SEE TABLE) ON CONTACT AREA AND 2.54μm [100μ"] MIN. MATTE-TIN ON SOLDER TAIL, WITH ENTIRE CONTACT UNDERPLATED 1.27μm [50μ"] MIN. NICKEL.
      - SHELL: 1.27μm [50μ"] MIN. NICKEL PLATED.
  - ELECTRICAL CHARACTERISTICS:
    - CONTACT CURRENT RATING: 0.5A MIN. APPLIED VOLTAGE RATING: 40V AC
    - CONTACT RESISTANCE: INITIAL 30 MILLIOHMS MAX. AFTER TEST: CHANGE FROM INITIAL VALUE 30 MILLIOHMS MAX.
    - DIELECTRIC STRENGTH: UNMATED CONNECTORS APPLY 500V AC. MATED CONNECTOR APPLY 300V AC
    - INSULATION RESISTANCE: 100 MEGAOHMS MIN. (UNMATED) 10 MEGAOHMS MIN. (MATED)
  - MECHANICAL CHARACTERISTICS:
    - MATING FORCE: 4.5KGF MAX.
    - UNMATING FORCE: 1~4KGF.
    - DURABILITY: 10000 CYCLE.
    - INSERTION FORCE OF CONN INTO PCB 2.0KGF MAX
  - RECOMMENDED PROCESS:
    - WAVE SOLDER, PEAK TEMPERATURE 270°C, 10SEC MAX.
    - REFLOW SOLDERING (SMD COMPONENT), OVEN TEMPERATURE: 260°C, 5SEC.
  - RoHS AND HALOGEN-FREE COMPLIANT.
  - SALT SPRAY 48HR PASS.



MATING DRAWING



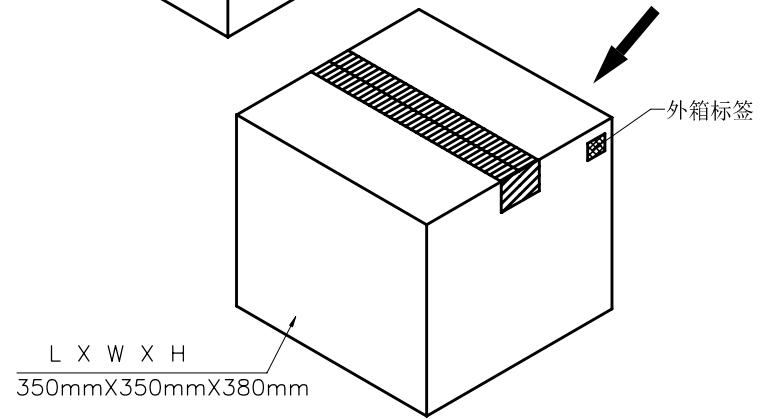
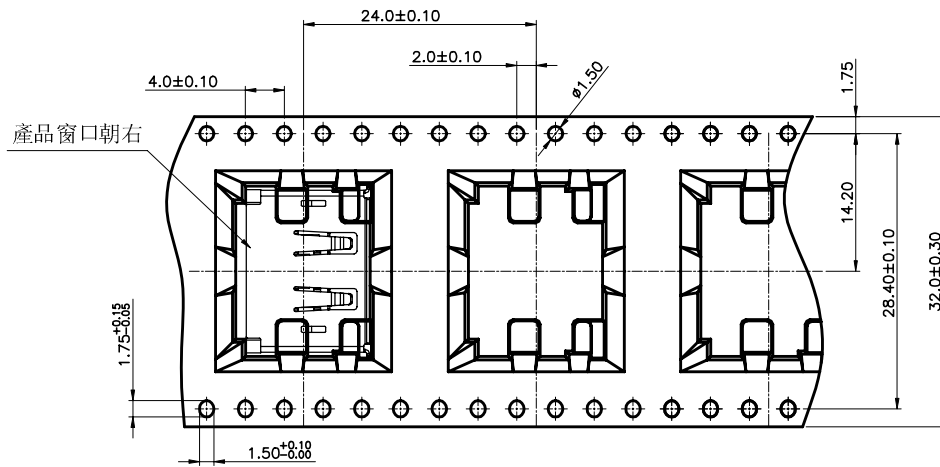
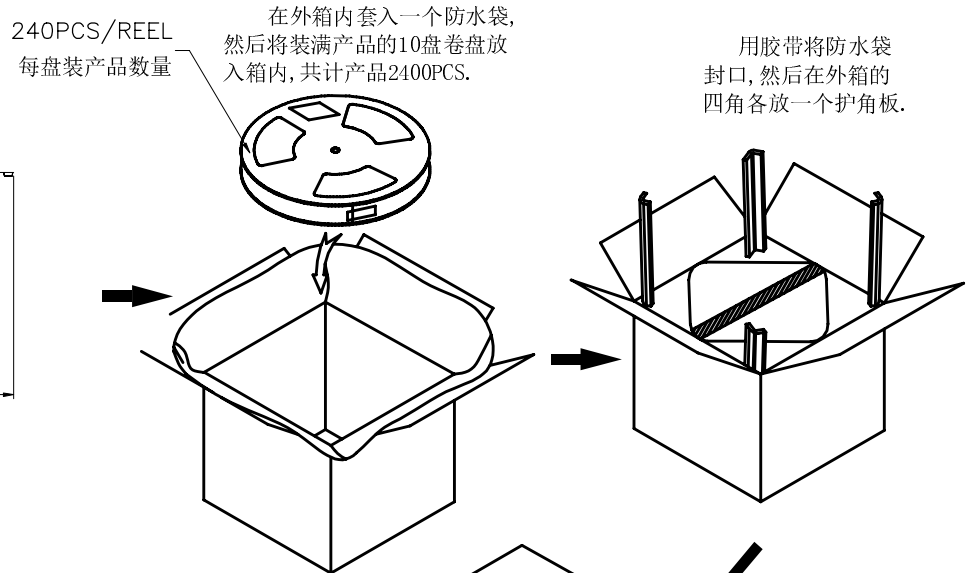
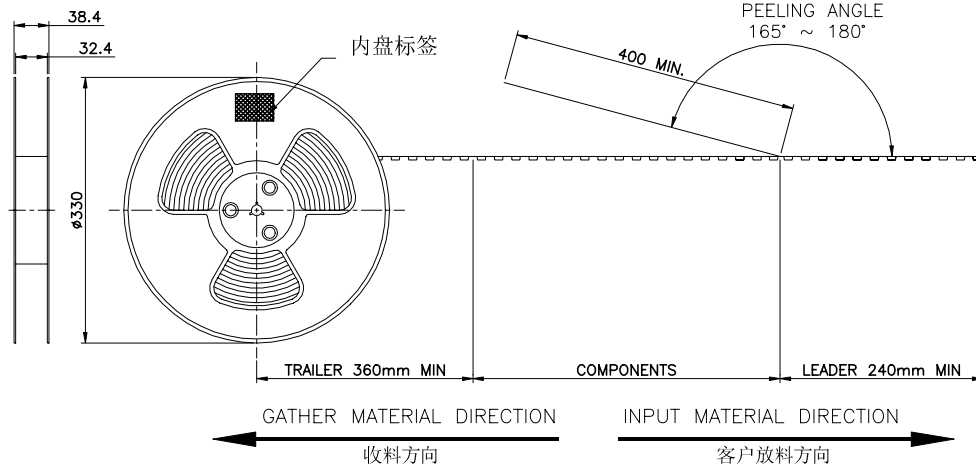
RoHS2+HF	30u"	22-D1210-6A03-0
	15u"	22-D1210-5A03-0
	10u"	22-D1210-3A03-0
	5u"	22-D1210-2A03-0
	G/F	22-D1210-1A03-0

GP TYPE	MIN. GOLD THICKNESS	PART NUMBER
---------	---------------------	-------------

REV.	DESCRIPTION	ECN NO.	DWN.	CHK.	APVD.	DATE
A	FIRST RELEASED	--	Xuesong			01-04'21

TOLERANCES UNLESS OTHERWISE SPECIFIED	TITLE	UNIT
X. ±0.50	Display Port 20P H=6.55m	mm
X.X ±0.30	CH=3.4mm, REC, STD, DIP TYPE (DSP-21)	
X.XX ±0.20	ORIGINAL DATA	
X.XXX ±0.15	01-04'21	
ANGEL ±3°	DWN. Xuesong	
MATERIAL	CHK.	
SEE NOTE	APVD.	
FINISH		
SEE NOTE		

PART NO.	SCALE	SIZE	REV.
SEE TABLE	1:1	A3	A
DWG. NO.	SHEET		
C-22-D121X	1 of 2		



240	10	2400 PCS	-- KG	-- KG
PCS/REEL	Reel/BOX	QUANTITY	GROSS WEIGHT	NET WEIGHT

						TOLERANCES UNLESS OTHERWISE SPECIFIED	TITLE Display Port 20P H=6.55m CH=3.4mm, REC, STD, DIP TYPE (DSP-21)		UNIT mm	
						X ±0.50	ORIGINAL DATA 01-04'21			
						XX ±0.30	DWN. Xuesong			
						XX ±0.20	CHK.		PART NO. SEE TABLE	
						X.XXX ±0.15	APVD.		SCALE 1:1	
						ANGEL ±3°	FINISH SEE NOTE		SIZE A3	
						MATERIAL SEE NOTE	DWG. NO. C-22-D121X		REV. A	
						REV. A	FIRST RELEASED -- Xuesong		SHEET 2 of 2	
						01-04'21				
						REV. DESCRIPTION	ECN NO.	CHK.	APVD.	DATE