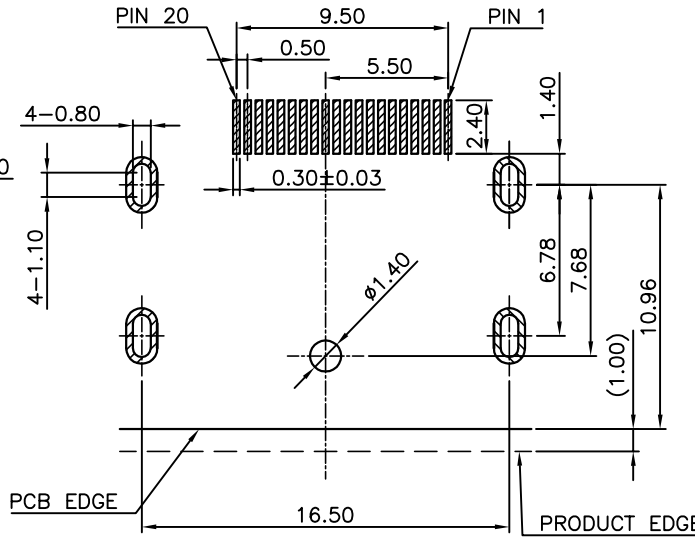
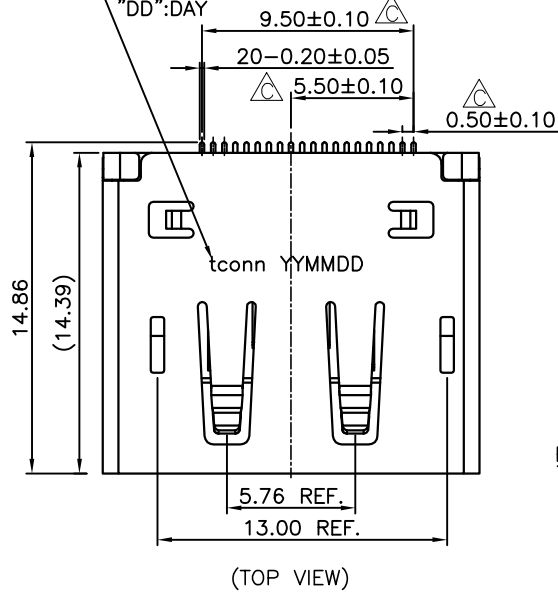


DATE CODE:YYMMDD

"tconn": tconn logo
 "YY": YEAR
 "MM": MONTH
 "DD": DAY



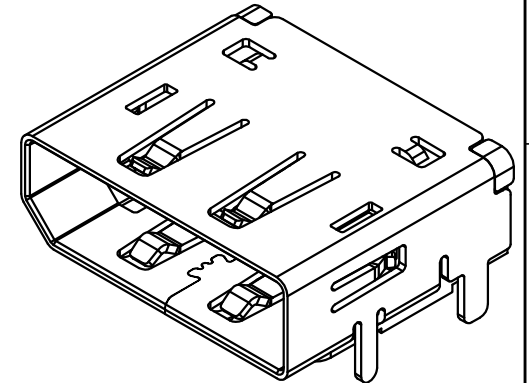
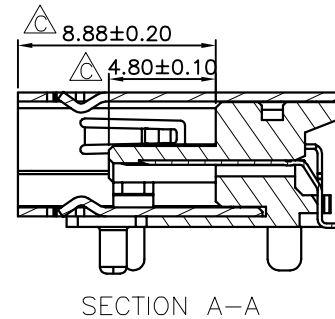
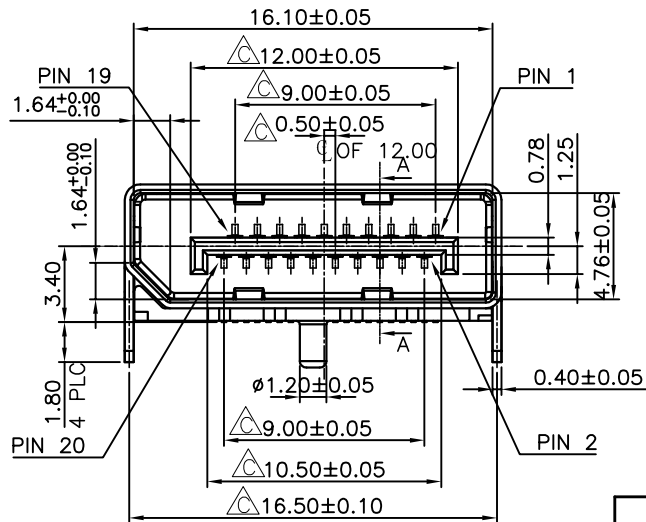
RECOMMENDED PCB LAYOUT(TOP VIEW)
 (DEFAULT DIMENSION TOL=±0.05mm)
 (THICKNESS=1.6±0.10mm)

NOTE:

- MATERIAL:
 - HOUSING:LCP E130I UL94V-0, COLOR:BLACK
 - TERMINAL:COPPER ALLOY C2680, T=0.20±0.05
 - SHELL:COPPER ALLOY C2680, T=0.40±0.05
- PLATING:

CONTACTS: (SEE TABLE) GOLD PLATED ON CONTACT AREA, 2.54μm [100μ"] MIN. MATTE-TIN ON SOLDER TAIL, WITH ENTIRE ONTACT UNDERPLATED 1.27μm [50μ"] MIN. NICKEL.

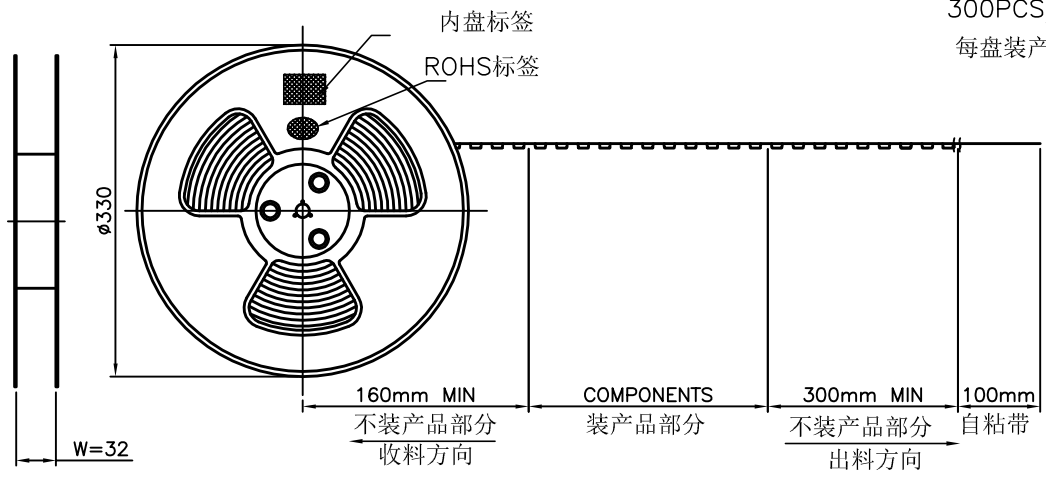
SHELL: 1.778μm [70μ"] MIN. NICKEL PLATED.
- ELECTRICAL PERFORMANCE:
 - CONTACT RESISTANC:INITIAL CONTACT RESISTANCE EXCLUDING CONDUCTOR RESISTANCE:10 MILLIOHMS MAX.
 - DIELECTRIC STRENGTH:UNMATED CONNECTORS APPLY 500V AC MATED CONNECTOR APPLY 300V AC
 - INSULATION RESISTANCE:100 MEGAOHMS MIN.(UNMATED) 10 MEGAOHMS MIN.(MATED)
 - CURRENT RATING:0.5A PER CONTACT MINIMUM
 - VOLTAGE RATING:40V AC(RMS)
- MECHANICAL CHARACTERISTICS:
 - MATING FOURCE:4.5KGF MAX.
 - UNMATING FORCE:0.5~4KGF.
 - DURABILITY:5000CYCLE.
- RESISTONCE TO REFLOW SOLDERING HEAT:260°C,5s
- OPERATING TEMPERATURE: -55°C~+105°C.
- SALT SPRAY 48HR PASS.



RoHS2+HF	0.762μm [30μ"]	22-D0620-6A03-0
	0.381μm [15μ"]	22-D0620-5A03-0
	GOLD FLASH	22-D0620-1A03-0
GP TYPE	MIN. GOLD THICKNESS	PART NUMBER

REV.	DESCRIPTION	ECN NO.	DWN.	CHK.	APVD.	DATE
C	CHANGE DIMENSION&NOTE	N1803101	Xinye			03-26'18
B	CHANGE SHELL PLATING	N1801039	Xinye	Jimmy	Kevin	02-02'18
A	FIRST RELEASED	--	Xinye	Jimmy	Kevin	08-15'17

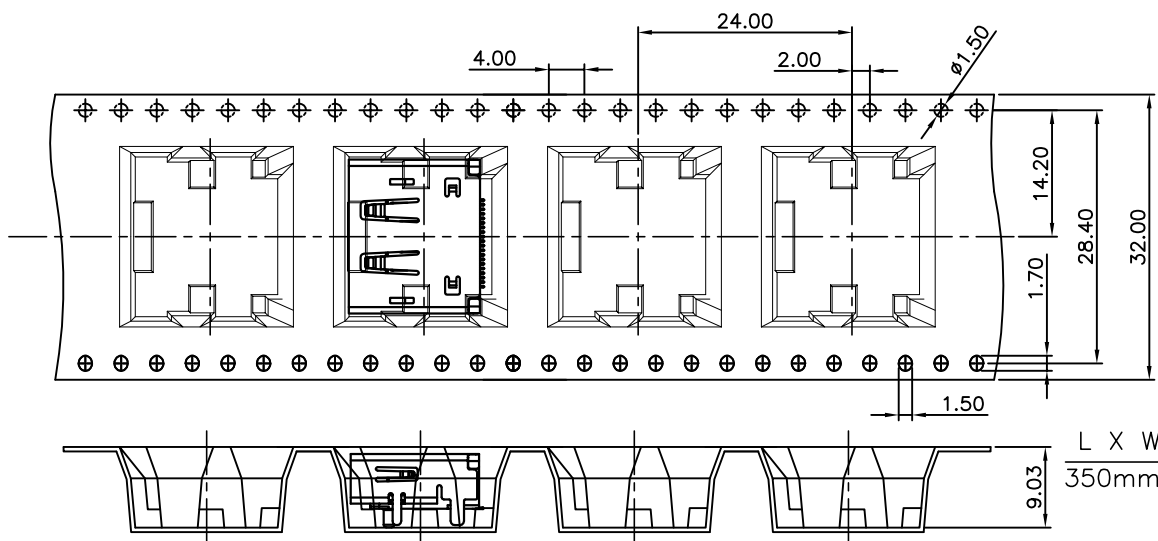
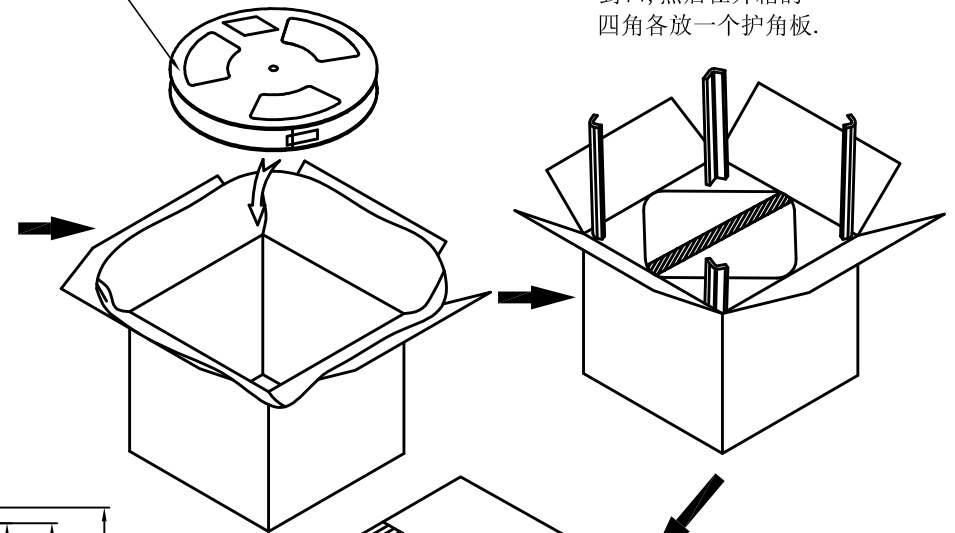
TOLERANCES UNLESS OTHERWISE SPECIFIED	TITLE	UNIT
X. ±0.50	Display Port 20P H=6.18mm CH=3.40mm	mm
X.X ±0.30	REC,STD,SMT TYPE,WITH BOSS(DSP-12)	
X.XX ±0.20	ORIGINAL DATA	
X.XXX ±0.15	08-15'17	
ANGEL ±3'		
MATERIAL	DWN.	
SEE NOTES	Xinye	
FINISH	CHK.	
SEE NOTES	Jimmy	
	APVD.	
	Kevin	
	PART NO.	SCALE
	SEE TABLE	/
	SIZE	REV.
	A3	C
	DWG. NO.	SHEET
	C-22-D062X	1 OF 2



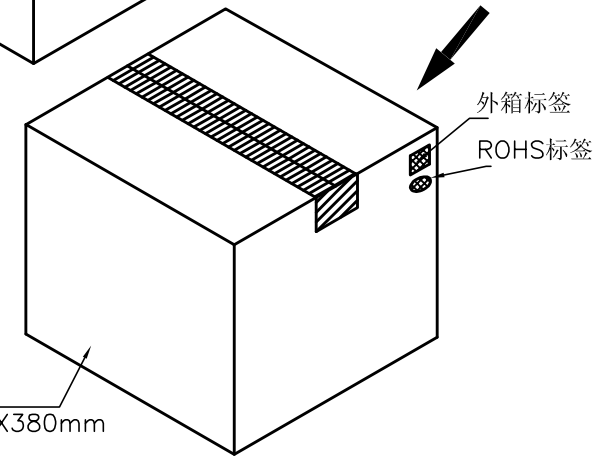
300PCS/REEL
每盘装产品数量

在外箱内套入一个防水袋，
然后将装满产品的10盘卷盘放
入箱内，共计产品3000PCS。

用胶带将防水袋
封口，然后在外箱的
四角各放一个护角板。



L X W X H
350mmX350mmX380mm



注释:

1. 卷带中每个位置放置一个产品，每卷卷带的开始端预留长度不小于160 mm不使用。
2. 边放产品边用自封胶带封口，1个卷盘放置300个产品，结束端留长度不小于300 mm不使用，自粘带留长度不小于100 mm编在外围。
3. 然后再卷一圈保护带，保护带始尾端重叠约50 mm，用皱纹胶纸将其封住。
4. 每个卷盘上贴1张内盘标签和1张RoHS标签。
5. 每10个卷盘装入1个外箱，共计3000 PCS产品。
6. 外箱外侧需贴1张外箱标签和1张RoHS标签。
7. 此部品禁止使用含有《环境管理物质控制标准》所限制的物质做为材料。

300	10	3000 PCS	-- KG	-- KG
PCS/ Reel	Reel/ BOX	QUANTITY	GROSS WEIGHT	NET WEIGHT

						TOLERANCES UNLESS OTHERWISE SPECIFIED		TITLE Display Port 20P H=6.18mm CH=3.40mm REC,STD,SMT TYPE,WITH BOSS(DSP-12)		UNIT mm
						X. ±0.50		ORIGINAL DATA		A
						X.X ±0.30		08-15'17		
						X.XX ±0.20		DWN. Xinye		
						X.XXX ±0.15		CHK. Jimmy		
						ANGEL ±3°		APVD. Kevin		
						MATERIAL		PART NO. SEE TABLE		SCALE /
C CHANGE DIMENSION&NOTE N1803101 Xinye 03-26'18						SEE NOTES		SIZE A3		REV. C
B CHANGE SHELL PLATING N1801039 Xinye Jimmy Kevin 02-02'18						SEE NOTES		DWG. NO. C-22-D062X		SHEET 2 OF 2
A FIRST RELEASED -- Xinye Jimmy Kevin 08-15'17						FINISH				
REV. DESCRIPTION ECN NO. DWN. CHK. APVD. DATE						SEE NOTES				