

3D VIEW

NOTE:

1.MATERIAL:

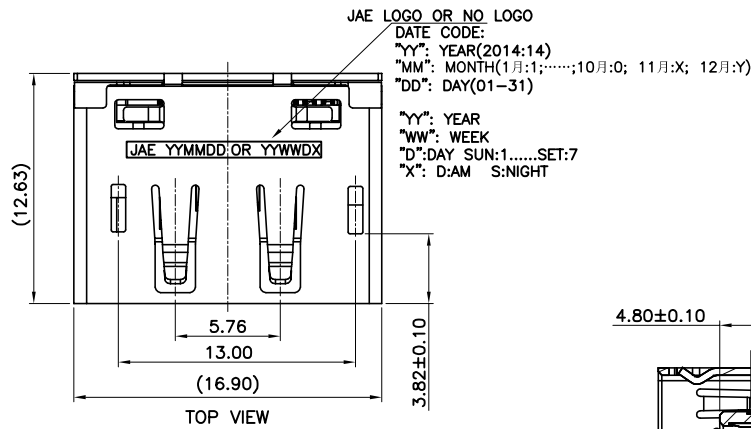
- 1-1 HOUSING:HIGH TEMPERATURE THERMOPLASTIC UL 94V-0 COLOR:BLACK
- 1-2 TERMINAL:COPPER ALLOY
- 1-3 SHELL:STAINLESS STEEL

2.PLATING:

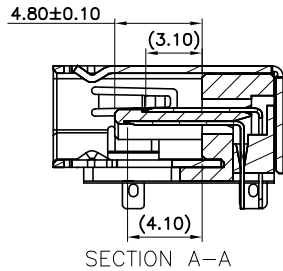
- 2-1 TERMINAL:
GOLD PLATED(SEE TABLE) ON CONTACT AREA AND 2.54μm [100μ"] MIN. MATTE-TIN ON SOLDER TAIL, WITH ENTIRE CONTACT UNDERPLATED 1.27μm [50μ"] MIN.NICKEL.
- 2-2 SHELL:1.27μm [50μ"] MIN. BLACK NICKEL/NICKEL PLATED.

3.ELECTRICAL PERFORMANCE:

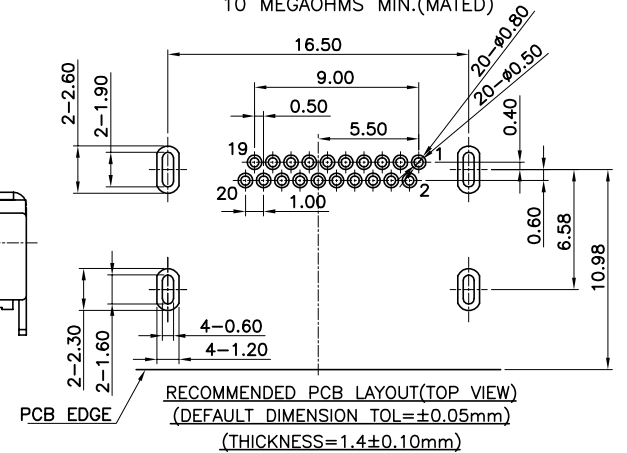
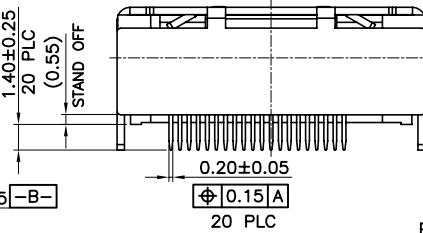
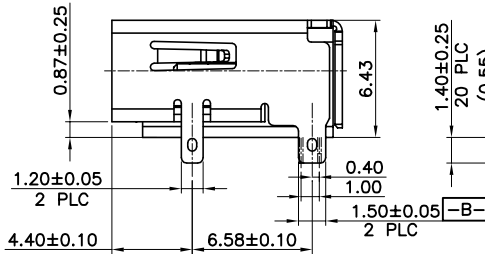
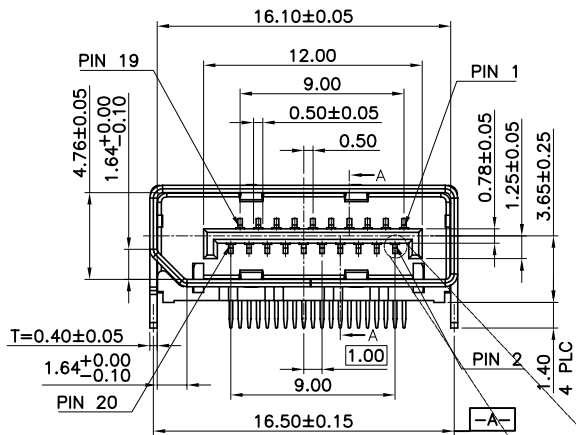
- 3-1 CONTACT RESISTANCE:INITIAL CONTACT RESISTANCE EXCLUDING CONDUCTOR RESISTANCE:10 MILLIOHMS MAX.
- 3-2 DIELECTRIC STRENGTH:UNMATED CONNECTORS APPLY 500V AC MATED CONNECTOR APPLY 300V AC
- 3-3 INSULATION RESISTANCE:100 MEGAOHMS MIN.(UNMATED) 10 MEGAOHMS MIN.(MATED)



TOP VIEW



SECTION A-A



RoHS2+HF	Ni	NO LOGO	4u'	22-D0271-8003-0
		JAE LOGO	4u'	22-D0271-8203-0
GP TYPE	Black Ni	JAE LOGO	4u'	22-D0270-8203-0
			G/F	22-D0270-1203-0
	SHELL PLATING	LOGO	MIN. GOLD THICKNESS	PART NUMBER

05	不抽真空包装	N1805159	XINYE			05-15'18
04	抽真空包装	N1710469	XINYE	JIMMY	KEVIN	11-28'17
03	增加一般鍍規格料號	N1511432	XINYE	JIMMY	KEVIN	11-17'15
02	更改包裝數量	N1501033	XINYE	JIMMY	KEVIN	01-21'15
01	FIRST RELEASED	--	XINYE	JIMMY	KEVIN	11-07'14
REV.	DESCRIPTION	ECN NO.	DWN.	CHK.	APVD.	DATE

TOLERANCES UNLESS OTHERWISE SPECIFIED
 X. ±0.50
 X.X ±0.30
 X.XX ±0.20
 X.XXX ±0.15
 ANGEL ±3°
 MATERIAL
 SEE NOTES
 FINISH
 SEE NOTES

TITLE: Display Port 20P
 H=6.43mm CH=3.65mm,REC, DIP TYPE UNIT: mm

ORIGINAL DATA: 11-07'14

DWN. XINYE

CHK. JIMMY

APVD. KEVIN

PART NO. SEE TABLE

SCALE: 1:1

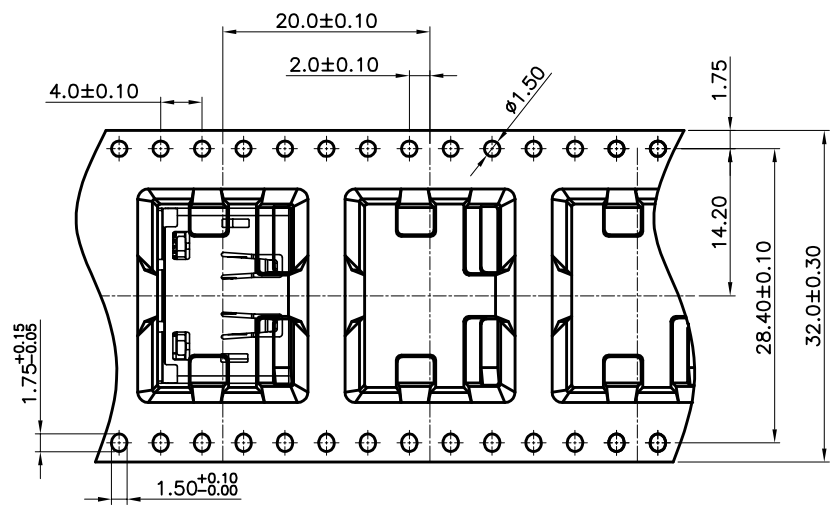
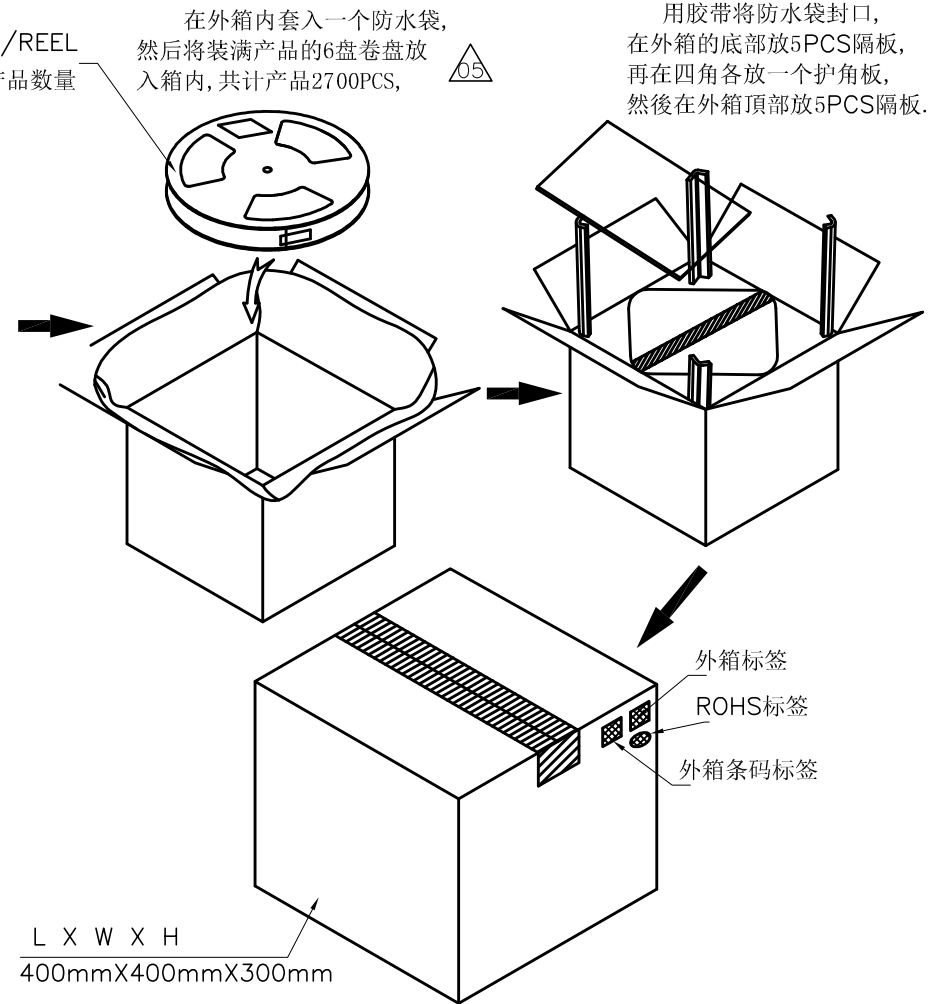
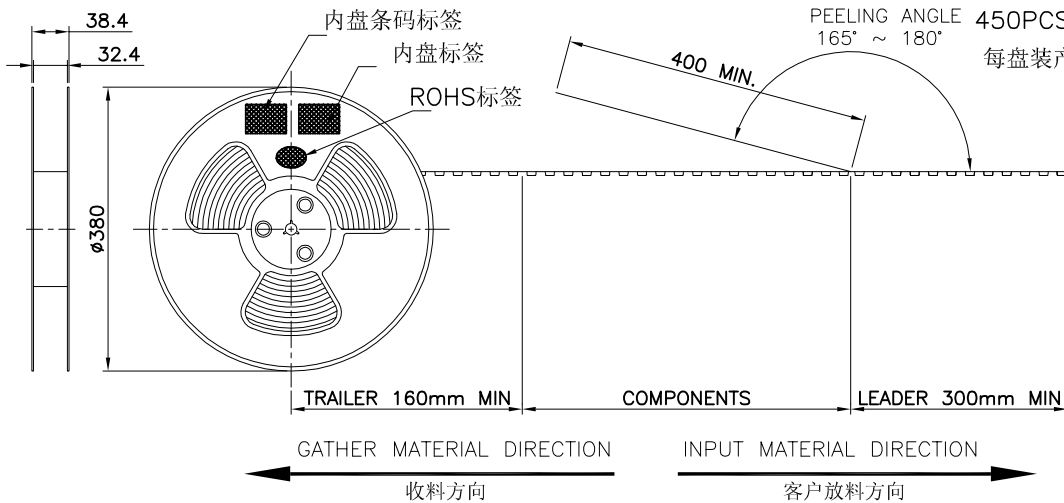
SIZE: A3

REV. 05

DWG. NO. C-22-D027X

SHEET 1 OF 2

tconn precision



- 注释:
- 卷带中每个位置放置一个产品, 每卷卷带的开始端预留长度不小于160mm不使用。
 - 边放产品边用自粘胶带封口, 1个卷盘放置450个产品, 结束端留长度不小于300mm不使用, 自粘带留长度不小于100mm缠在外围。
 - 每个卷盘上贴1张内盘标签和1张RoHS标签。
 - 每6个卷盘装入1个外箱, 共计2700PCS产品。
 - 外箱外侧需贴1张外箱标签和1张RoHS标签。
 - 此部品禁止使用含有《环境管理物质控制标准》所限制的物质做为材料。

450	6	2700 PCS	-- KG	-- KG
PCS/TAPE	Reel/BOX	QUANTITY	GROSS WEIGHT	NET WEIGHT

05	不抽真空包装	N1805159	XINYE			05-15'18	TOLERANCES UNLESS OTHERWISE SPECIFIED	TITLE	Display Port 20P		UNIT
04	抽真空包装	N1710469	XINYE	JIMMY	KEVIN	11-28'17	X. ±0.50	H=6.43mm	CH=3.65mm, REC, DIP TYPE		mm
03	增加一般规格料号	N1511432	XINYE	JIMMY	KEVIN	11-17'15	X.X ±0.30	ORIGINAL DATA	11-07'14		
02	更改包装数量	N1501033	XINYE	JIMMY	KEVIN	01-21'15	X.XX ±0.20	DWN.	XINYE		
01	FIRST RELEASED	--	XINYE	JIMMY	KEVIN	11-07'14	X.XXX ±0.15	CHK.	JIMMY		
REV.	DESCRIPTION	ECN NO.	DWN.	CHK.	APVD.	DATE	ANGEL ±3'	FINISH	APVD. KEVIN		
							MATERIAL SEE NOTES	PART NO. SEE TABLE		SCALE 1:1	SIZE A3
							SEE NOTES	DWG. NO. C-22-D027X		SHEET 2 OF 2	