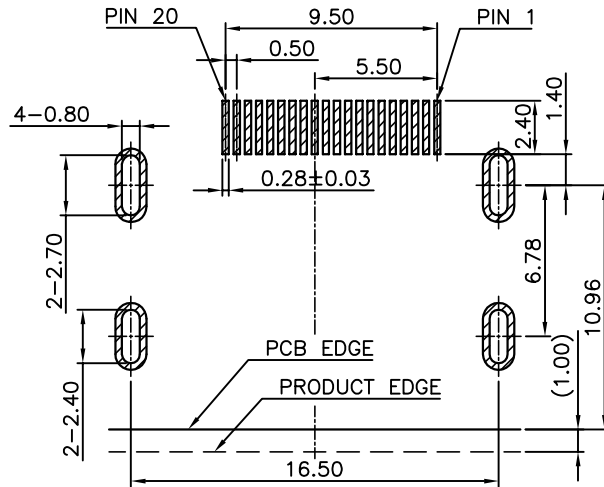
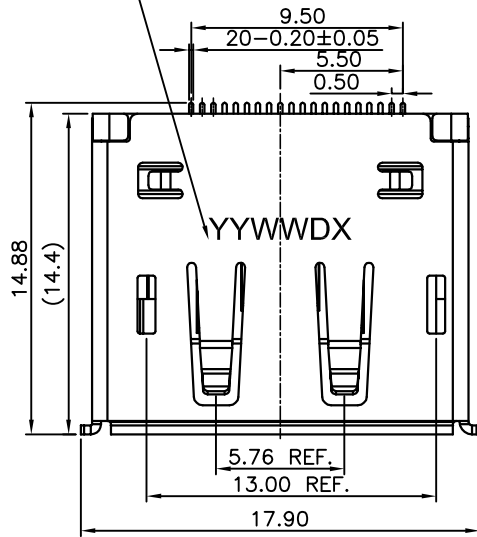


DATE CODE: YYWWDX

"YY": YEAR
 "WW": WEEK
 "D": DAY SUN:1.....SET:7
 "X": D:AM S:NIGHT



RECOMMENDED PCB LAYOUT(TOP VIEW)
 (DEFAULT DIMENSION TOL=±0.05mm)
 (THICKNESS=1.6±0.10mm)

NOTE:

1.MATERIAL:

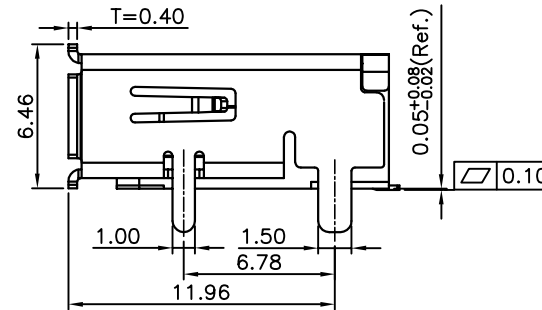
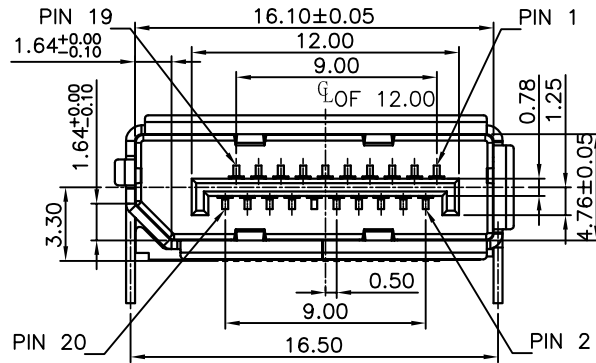
- 1-1 HOUSING:HIGH TEMPERATURE THERMOPLASTIC UL 94V-0
COLOR:BLACK
- 1-2 TERMINAL:COPPER ALLOY
- 1-3 SHELL:COPPER ALLOY

2.PLATING:

CONTACTS: (SEE TABLE) GOLD PLATED ON CONTACT AREA,
 2.54μm [100μ"] MIN. MATTE-TIN ON SOLDER TAIL, WITH
 ENTIRE ONTACT UNDERPLATED 1.27μm [50μ"] MIN. NICKEL.
 SHELL: 1.27μm [50μ"] MIN. NICKEL PLATED.

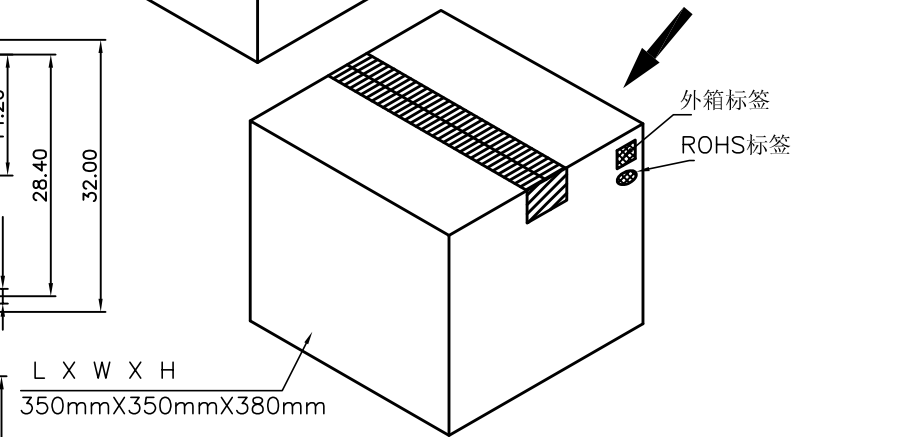
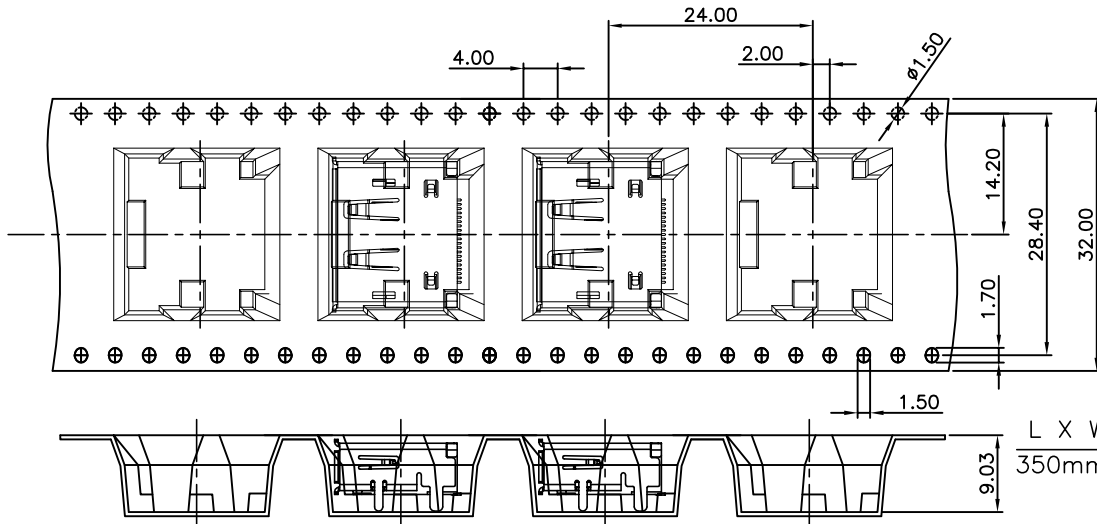
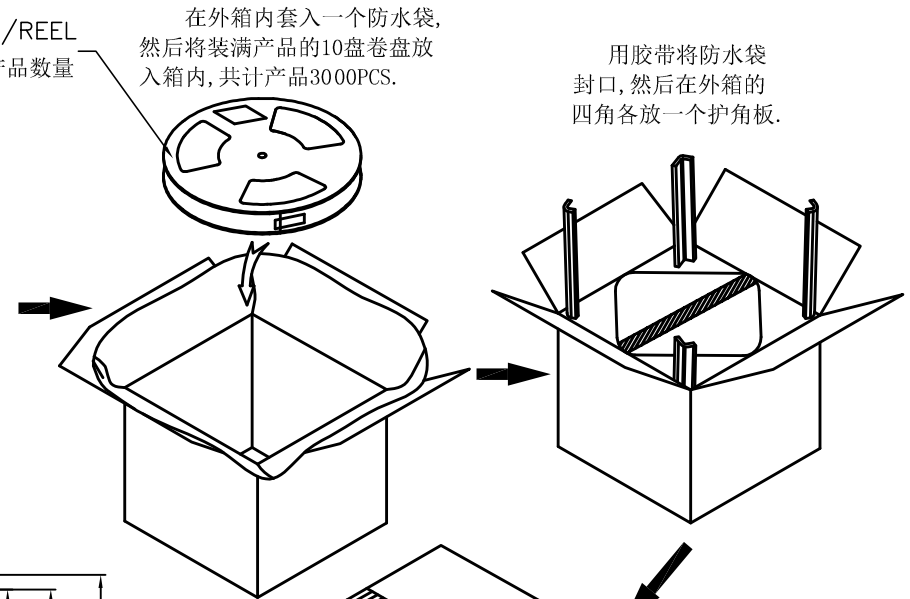
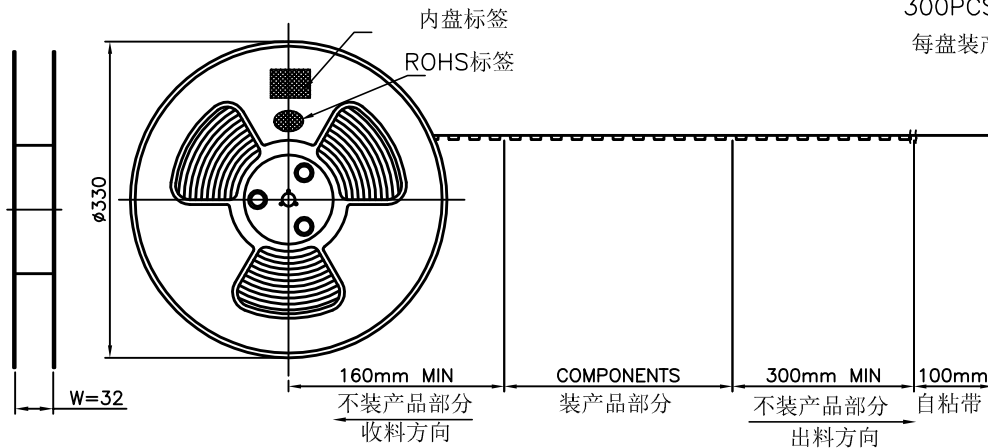
3.ELECTRICAL PERFORMANCE:

- 3-1 CONTACT RESISTANC:INITIAL CONTACT RESISTANCE
EXCLUDING CONDUCTOR RESISTANCE:10 MILLIOHMS MAX.
- 3-2 DIELECTRIC STRENGTH:UNMATED CONNECTORS APPLY 500V AC
MATED CONNECTOR APPLY 300V AC
- 3-3 INSULATION RESISTANCE:100 MEGAOHMS MIN.(UNMATED)
10 MEGAOHMS MIN.(MATED)



GP TYPE	MIN. GOLD THICKNESS	PART NUMBER
RoHS2+HF	0.762μm [30μ"]	22-D0100-6003-0
	0.381μm [15μ"]	22-D0100-5003-0
	0.305μm [12μ"]	22-D0100-4003-0
	0.254μm [10μ"]	22-D0100-3003-0
	0.076μm [5μ"]	22-D0100-2003-0
	GOLD FLASH	22-D0100-1003-0

REV.	DESCRIPTION	ECN NO.	DWN.	CHK.	APVD.	DATE	TOLERANCES UNLESS OTHERWISE SPECIFIED	TITLE	UNIT
D	轉換圖框	N1810420	SongFeng			10-25'18	X. ±0.50 X.X ±0.30 X.XX ±0.20 X.XXX ±0.15 ANGEL ±3°	DISPLAY PORT RECEPTACLE FEMALE R/A SMT TYPE CH=3.30	mm
C	MODIFY SHELL	N1606264	--	JIMMY	Kevin	12-23'15	MATERIAL SEE NOTES	ORIGINAL DATA 10-25'18	
B	CANCEL MYLAR	N1512511	--	JIMMY	Kevin	12-23'15	FINISH SEE NOTES	DWN. JIMMY	
A	FIRST RELEASED	--	--	JIMMY	Kevin	07-08'13		CHK. Tonson	
								APVD. Kevin	



注释:

- 卷带中每个位置放置一个产品, 每卷卷带的开始端预留长度不小于160mm不使用。
- 边放产品边用自粘胶带封口, 1个卷盘放置300个产品, 结束端预留长度不小于300mm不使用, 自粘带留长度不小于100mm缠在外围。
- 然后再卷一圈保护带, 保护带始尾端重叠约50mm, 用皱纹胶纸将其封住。
- 每个卷盘上贴1张内盘标签和1张RoHS标签。
- 每10个卷盘装入1个外箱, 共计3000PCS产品。
- 外箱外侧需贴1张外箱标签和1张RoHS标签。
- 此部品禁止使用含有《环境管理物质控制标准》所限制的物质做为材料。

300	10	3000 PCS	-- KG	-- KG
PCS/ TAPE	Reel/ BOX	QUANTITY	GROSS WEIGHT	NET WEIGHT

						OTHERWISE SPECIFIED	DISPLAY PORT RECEPTACLE				
						X. ±0.50	FEMALE R/A SMT TYPE CH=3.30				
						X.X ±0.30	ORIGINAL DATA				
						X.XX ±0.20	10-25'18				
						X.XXX ±0.15	DWN. JIMMY				
						ANGEL ±3'	CHK. Tonson				
						MATERIAL	PART NO.		SCALE	SIZE	REV.
						SEE NOTES	SEE TABLE		/	A3	D
						FINISH	DWG. NO.		SHEET		
						SEE NOTES	C-22-D010X		2 OF 2		

D	轉換圖框	N1810420	SongFeng			10-25'18
C	MODIFY SHELL	N1606264	--	JIMMY	Kevin	12-23'15
B	CANCEL MYLAR	N1512511	--	JIMMY	Kevin	12-23'15
A	FIRST RELEASED	--	--	JIMMY	Kevin	07-08'13
REV.	DESCRIPTION	ECN NO.	DWN.	CHK.	APVD.	DATE