

NOTE:
 1.MATERIAL:
 1-1 HOUSING:HIGH TEMPERATURE THERMOPLASTIC UL 94V-0
 COLOR:BLACK
 1-2 TERMINAL:COPPER ALLOY
 1-3 SHELL:COPPER ALLOY
 2.PLATING:
 2-1 TERMINAL:
 CONTACT AREA:GOLD PLATED OVER NICKEL
 SOLDER TAIL AREA:PLATING GOLD OR MATTE TIN
 2-2 SHELL:PLATING GOLD/NICKEL/TIN
 3.PART NUMBER: 1 1 6 6-X X 0 0 8-X 1 X

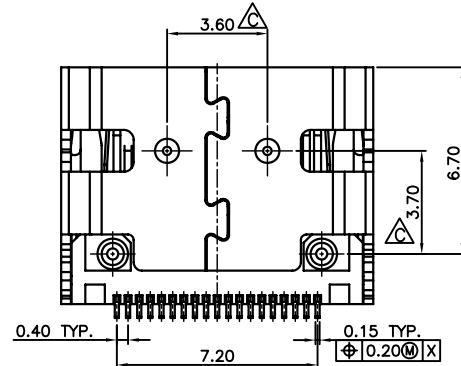
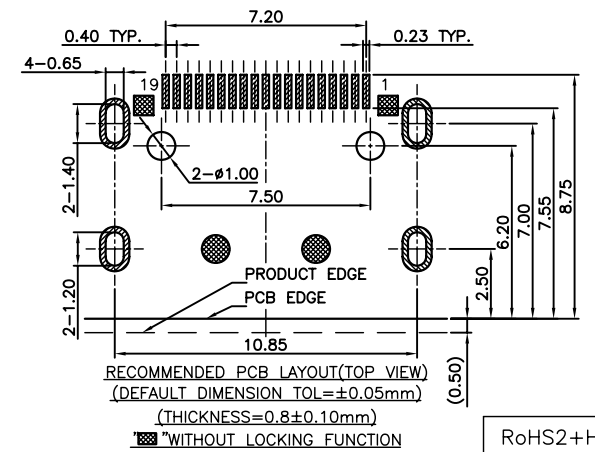
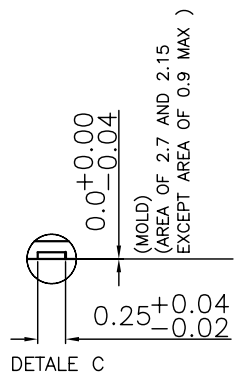
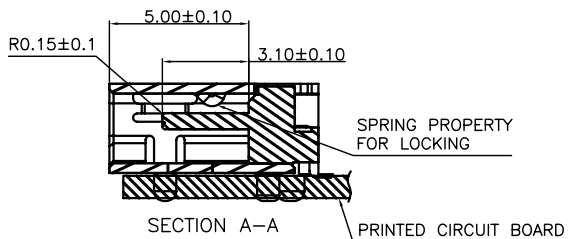
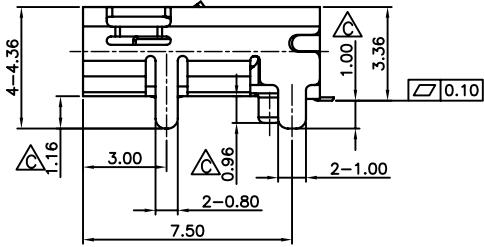
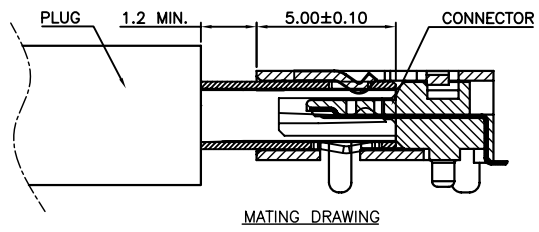
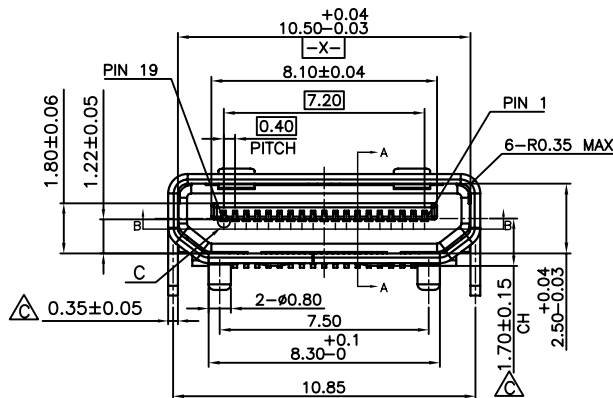
SHELL MATERIAL AND PLATING:
 1.COPPER ALLOY PLATING NICKEL
 2.COPPER ALLOY PLATING GOLD
 3.COPPER ALLOY PLATING TIN
 4.COPPER ALLOY PLATING MATTE TIN

TERMINAL PLATING:
 1.CONTACT AREA GOLD 1u"
 2.CONTACT AREA GOLD 3u"
 3.CONTACT AREA GOLD 15u"
 4.CONTACT AREA GOLD 30u"
 5.CONTACT AREA GOLD 5u"
 6.CONTACT AREA GOLD 10u"
 A.CONTACT AREA GOLD 1u"
 B.CONTACT AREA GOLD 3u"
 C.CONTACT AREA GOLD 15u"
 D.CONTACT AREA GOLD 30u"
 E.CONTACT AREA GOLD 5u"
 F.CONTACT AREA GOLD 10u"

SOLDER AREA GOLD FLASH
 SOLDER AREA GOLD FLASH
 SOLDER AREA GOLD FLASH
 SOLDER AREA GOLD FLASH
 SOLDER AREA GOLD FLASH
 SOLDER AREA GOLD FLASH
 SOLDER AREA MATTE TIN 100U"
 SOLDER AREA MATTE TIN 100U"
 SOLDER AREA MATTE TIN 100U"
 SOLDER AREA MATTE TIN 100U"
 SOLDER AREA MATTE TIN 100U"
 SOLDER AREA MATTE TIN 100U"

CUSTOMER CODE:
 B:tconn

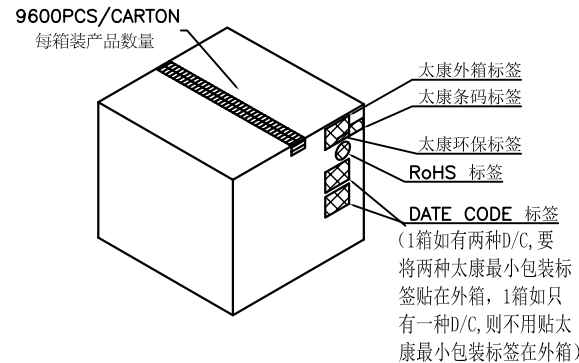
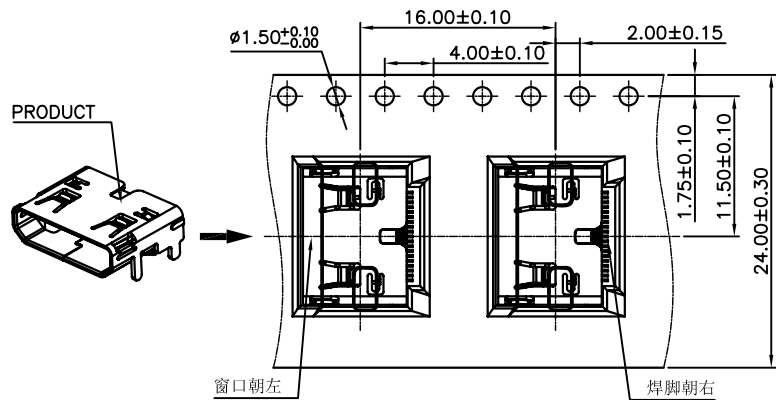
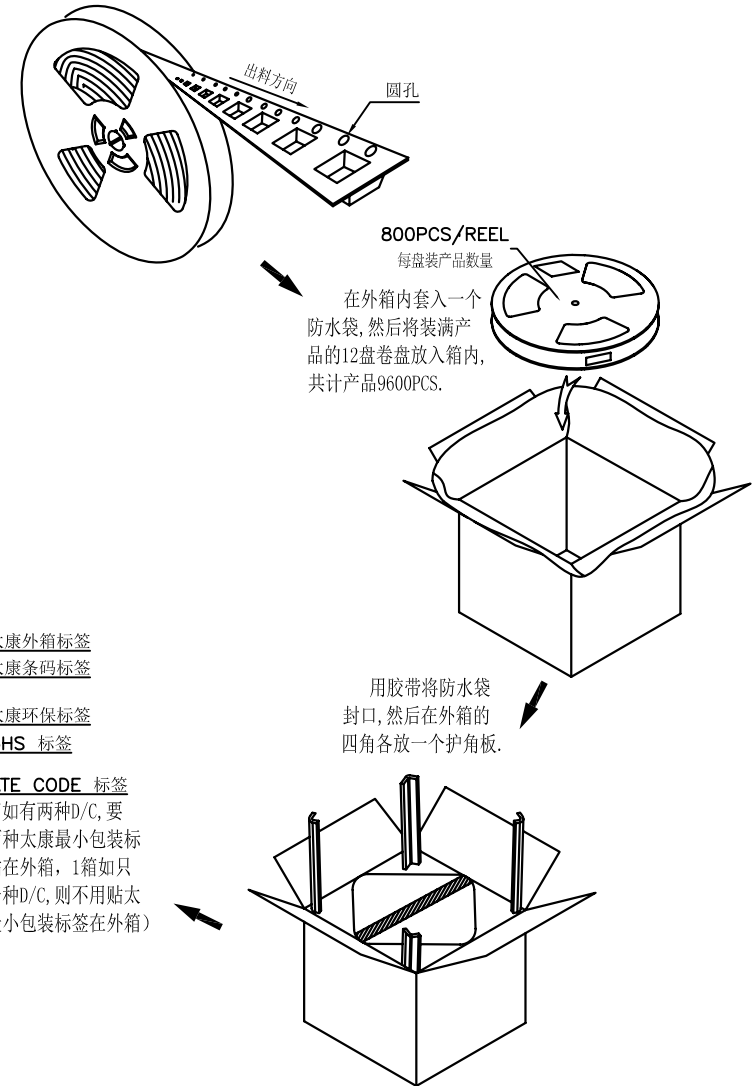
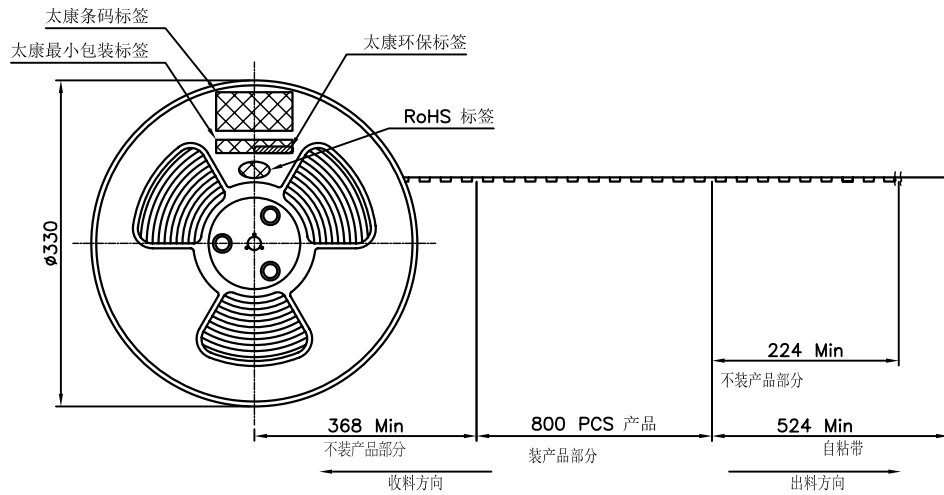
 PACKING CODE:
 1:TRAY
 2:REEL



REV.	DESCRIPTION	ECN NO.	DWN.	CHK.	APVD.	DATE
C	圖面增加尺寸標示	N1508295	ZongShun			08-27'15
B	Add MATING DRAWING	N1205090	Jimmy	Tonson	Kevin	05-10'12
A	NEW REV. ISSUE	/	ZXF	Daniel	Daniel	04-07'12

TOLERANCES UNLESS OTHERWISE SPECIFIED		TITLE		UNIT
X	±0.50	HDMI C FEMALE SMT TYPE R/A		mm
X.X	±0.30	H 3.36mm HDMI BSF-7 SERIES		
X.XX	±0.20	ORIGINAL DATA		
X.XXX	±0.15	04-07'12		
ANGEL	±3°	DWN. ZXF		
MATERIAL		CHK. Daniel		
SEE NOTES		APVD. Daniel		
FINISH		PART NO. 1166-XX008-X1X		SCALE 1:1
SEE NOTES		DWG. NO. C-1166-XX008-X1X		SIZE A3
		SHEET 1 OF 2		REV. C





- 注释:
1. 卷带中每个位置放置一个产品, 每卷卷带的开始端预留长度不小于368mm不使用。
 2. 边放产品边用自粘胶带封口, 1个卷盘放置800个产品, 结束端留长度不小于224mm不使用, 自粘带留长度不小于300mm缠在外围。
 3. 然后再卷一圈保护带, 保护带始尾端重叠约50mm, 用皱纹胶纸将其封住。
 4. 每个卷盘上贴1张太康条码标签, 1张太康最小包装标签, 1张太康环保标签和1张RoHS标签(其中太康环保标签贴在太康最小包装标签上, 如图示位置)。
 5. 每12个卷盘装入1个外箱, 共计9600PCS产品。
 6. 外箱外侧需贴1张太康外箱标签, 1张太康条码标签, 1张太康环保标签和1张RoHS标签(其中太康环保标签贴在太康外箱标签上, 如图示位置)。
 7. 此部品禁止使用含有《环境管理物质控制标准》所限制的物质做为材料。

800	12	9600PCS	--KG	--KG
PCS/REEL	REELS/BOX	QUANTITY	GROSS	NET

						TOLERANCES UNLESS OTHERWISE SPECIFIED	TITLE	UNIT
						X. ±0.50	HDMI C FEMALE SMT TYPE R/A	mm
						X.X ±0.30	H 3.36mm HDMI BSF-7 PACKING	
						X.XX ±0.20	ORIGINAL DATA	
						X.XXX ±0.15	04-07'12	
						ANGEL ±3'		
C	圖面增加尺寸標示	N1508295	ZongShun		08-27'15	MATERIAL	DWN. ZXF	PART NO.
B	Add MATING DRAWING	N1205090	Jimmy	Tonson	Kevin	SEE NOTES	CHK. Daniel	1166-XX008-X1X
A	NEW REV. ISSUE	/	ZXF	Daniel	Daniel	FINISH	APVD. Daniel	SCALE 1:1
REV.	DESCRIPTION	ECN NO.	DWN.	CHK.	APVD.	SEE NOTES	DWG. NO.	SIZE A3
							C-1166-XX008-X1X	REV. C
								SHEET 2 OF 2