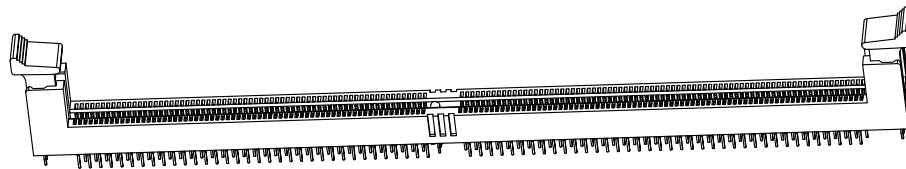
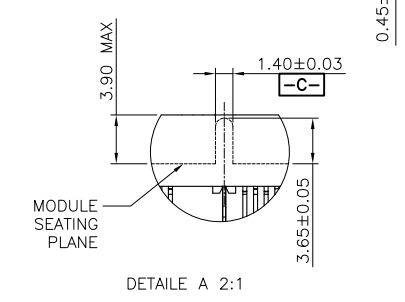
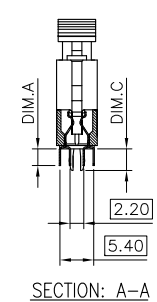
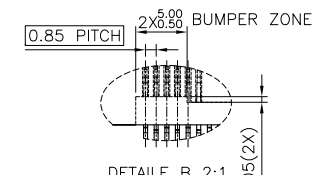
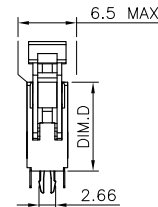
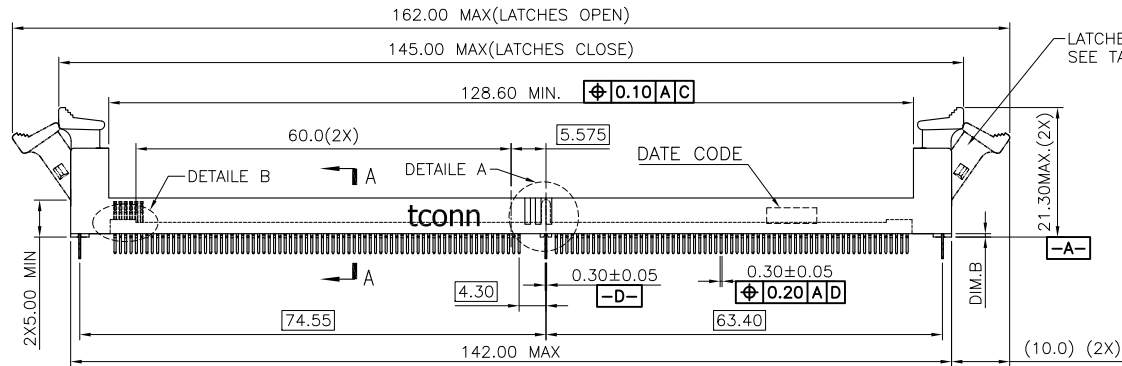



- NOTE:
- MATERIAL:
    - HOUSING: THERMOPLASTIC(SEE TABLE) UL94V-2, COLOR(SEE TABLE).
    - LATCH: THERMOPLASTIC(SEE TABLE) UL94V-2, COLOR(SEE TABLE).
    - CONTACT: PHOSPHOR BRONZE.
    - METAL CLIP: COPPER ALLOY
  - PLATING
    - CONTACTS: GOLD PLATING (SEE TABLE) ON CONTACT AREA  
1.27um[50u"]MIN. NICKEL UNDERPLATED OVERALL.  
2.54um[100u"]MIN. MATTE-TIN ON SOLDER TAIL.
    - METAL CLIP: 50u"MIN.NICKEL ALL OVER



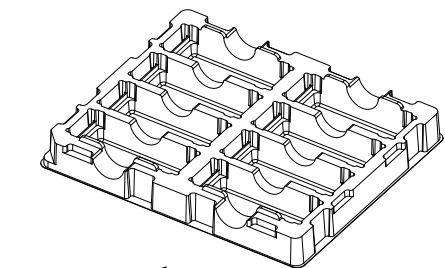
P	新增料號	N1704139	Huan_P		04-17'17	TOLERANCES UNLESS OTHERWISE SPECIFIED X. ±0.50 X.X ±0.30 X.XX ±0.20 X.XXX ±0.15 ANGEL ±3°	TITLE DDR4 TYPE 288PIN PITCH 0.85mm, H=14.20mm, DIP TYPE.		UNIT mm
O	新增黑色料號	N1612646	Xinling	Jimmy	Kevin		12-20'16	ORIGINAL DATA 12-19'14	A3 P
N	重新整理料號	N1609467	Jijin	Jimmy	Kevin	09-09'16	MATERIAL SEE NOTE	DWN. Xinling	SCALE 1 : 1
M	新增PA66主體黑色+藍色耳扣料號	N1607387	Siyan	Jimmy	Kevin	08-11'16		CHK. Jimmy	
L	新增PA10T主體黑色+藍色耳扣及主體黑色+藍色耳扣料號	N1607357	Jijin	Jimmy	Kevin	07-22'16	FINISH SEE NOTE	APVD. Kevin	DWG. NO. C-21-0099X-W
K	新增G/F料號	N1606304	Jijin	Jimmy	Kevin	06-24'16		SHEET 1 OF 4	
REV.	DESCRIPTION	ECN NO.	DWN.	CHK.	APVD.	DATE	SEE NOTE		

GP TYPE	MATERIAL	DIM. A	DIM. B	DIM. C	DIM. D	HOUSING COLOR	LATCH COLOR	MIN. GOLD THICKNESS	PART NUMBER
RoHS2	PA46	2.67	0.55	3.45	14.20	BLUE(287C)	WHITE	30u"	21-00991-6AE1-C
						BLUE(287C)	WHITE	15u"	21-00991-5AE1-C
						BLUE(287C)	WHITE	G/F	21-00991-1AE1-C
						WHITE	WHITE	30u"	21-00991-6A11-C
						WHITE	WHITE	15u"	21-00991-5A11-C
						WHITE	WHITE	G/F	21-00991-1A11-C
						BLACK	WHITE	30u"	21-00991-6AB1-C
		BLACK	WHITE	15u"	21-00991-5AB1-C				
		BLACK	WHITE	G/F	21-00991-1AB1-C				
		2.40	0.82	3.18	14.47	BLUE(287C)	WHITE	30u"	21-00991-6AE1-B
						BLUE(287C)	WHITE	15u"	21-00991-5AE1-B
						BLUE(287C)	WHITE	G/F	21-00991-1AE1-B
						WHITE	WHITE	30u"	21-00991-6A11-B
						WHITE	WHITE	15u"	21-00991-5A11-B
	WHITE					WHITE	G/F	21-00991-1A11-B	
	BLACK					WHITE	30u"	21-00991-6AB1-B	
	BLACK	WHITE	15u"	21-00991-5AB1-B					
	BLACK	WHITE	G/F	21-00991-1AB1-B					
	2.10±0.25 0.15	0.95	3.05	14.60	BLUE(287C)	WHITE	30u"	21-00991-6AE1-A	
					BLUE(287C)	WHITE	15u"	21-00991-5AE1-A	
					BLUE(287C)	WHITE	G/F	21-00991-1AE1-A	
					WHITE	WHITE	30u"	21-00991-6A11-A	
					WHITE	WHITE	15u"	21-00991-5A11-A	
					WHITE	WHITE	G/F	21-00991-1A11-A	
					BLACK	WHITE	30u"	21-00991-6AB1-A	
					BLACK	WHITE	15u"	21-00991-5AB1-A	
					BLACK	WHITE	G/F	21-00991-1AB1-A	

GP TYPE	MATERIAL	DIM. A	DIM. B	DIM. C	DIM. D	HOUSING COLOR	LATCH COLOR	MIN. GOLD THICKNESS	PART NUMBER
RoHS2	PA66	2.67	0.55	3.45	14.20	BLACK	BLACK	15u"	21-00990-5A01-C
						BLUE(287C)	WHITE	30u"	21-00990-6AE1-C
						BLUE(287C)	WHITE	15u"	21-00990-5AE1-C
						BLUE(287C)	WHITE	G/F	21-00990-1AE1-C
						WHITE	WHITE	30u"	21-00990-6A01-C
						WHITE	WHITE	15u"	21-00990-5A11-C
						WHITE	WHITE	G/F	21-00990-1A01-C
		BLACK	WHITE	30u"	21-00990-6AB1-C				
		BLACK	WHITE	15u"	21-00990-5AB1-C				
		BLACK	WHITE	G/F	21-00990-1AB1-C				
		2.40	0.82	3.18	14.47	BLUE(287C)	WHITE	30u"	21-00990-6AE1-B
						BLUE(287C)	WHITE	15u"	21-00990-5AE1-B
						BLUE(287C)	WHITE	G/F	21-00990-1AE1-B
						WHITE	WHITE	30u"	21-00990-6A11-B
	WHITE					WHITE	15u"	21-00990-5A11-B	
	WHITE					WHITE	G/F	21-00990-1A11-B	
	BLACK					WHITE	30u"	21-00990-6AB1-B	
	BLACK	WHITE	15u"	21-00990-5A01-B					
	2.10±0.25 0.15	0.95	3.05	14.60	GRAY(432U)	GRAY(432U)	15u"	21-00990-5A91-B	
					GRAY(432U)	GRAY(432U)	G/F	21-00990-1A91-B	
					BLACK	BLACK	15u"	21-00990-5A01-B	
					BLACK	BLACK	G/F	21-00990-1AB1-B	
					BLACK	WHITE	G/F	21-00990-1A01-B	
					BLUE(287C)	WHITE	30u"	21-00990-6AE1-A	
					BLUE(287C)	WHITE	15u"	21-00990-5AE1-A	
	BLUE(287C)	WHITE	G/F	21-00990-1AE1-A					
	WHITE	WHITE	30u"	21-00990-6A11-A					
	WHITE	WHITE	15u"	21-00990-5A11-A					
WHITE	WHITE	G/F	21-00990-1A11-A						
BLACK	WHITE	30u"	21-00990-6AB1-A						
BLACK	WHITE	15u"	21-00990-5AB1-A						
BLACK	WHITE	G/F	21-00990-1AB1-A						

P	新增料號	N1704139	Huan_P		04-17'17	TOLERANCES UNLESS OTHERWISE SPECIFIED X. ±0.50 X.X ±0.30 X.XX ±0.20 X.XXX ±0.15 ANGEL ±3°	TITLE DDR4 TYPE 288PIN PITCH 0.85mm, H=14.20mm, DIP TYPE.		UNIT mm			
O	新增黑色料號	N1612646	Xinling	Jimmy	Kevin		12-20'16	ORIGINAL DATA 12-19'14				
N	重新整理料號	N1609467	Jijin	Jimmy	Kevin	09-09'16	MATERIAL SEE NOTE	DWN. Xinling			PART NO. SEE TABLE	SCALE 1 : 1
M	新增PA66主體黑色+藍色耳扣料號	N1607387	Siyao	Jimmy	Kevin	08-11'16		FINISH SEE NOTE	CHK. Jimmy	DWG. NO. C-21-0099X-W	SHEET 2 OF 4	
L	新增PA66主體黑色+藍色耳扣料號 &主體黑色+藍色耳扣料號	N1607357	Jijin	Jimmy	Kevin	07-22'16	APVD. Kevin					
K	新增G/F料號	N1606304	Jijin	Jimmy	Kevin	06-24'16						
REV.	DESCRIPTION	ECN NO.	DWN.	CHK.	APVD.	DATE						

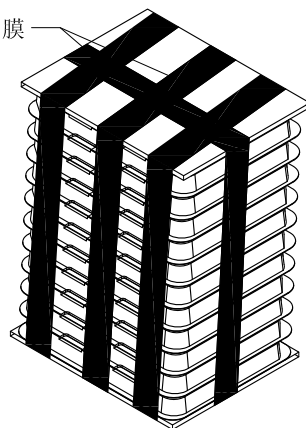




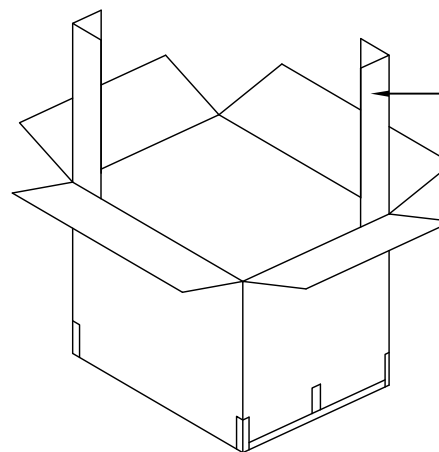
每盒成品56PCS



拉伸膜



一捆10層共560PCS

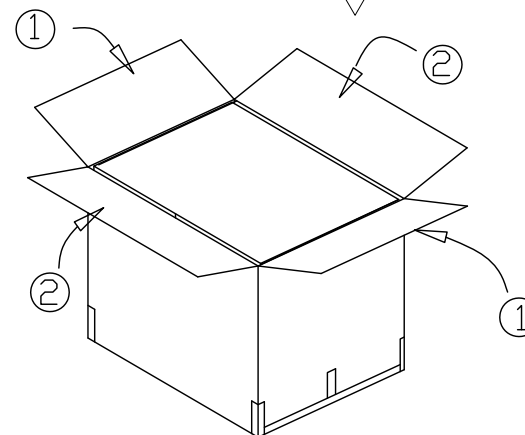
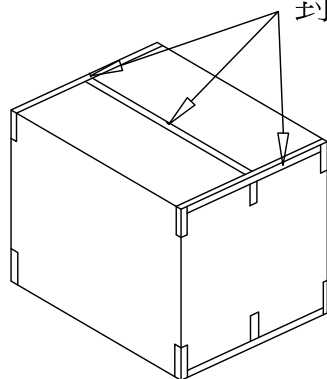


補強卡

一箱1捆共560PCS



封三條膠帶



56	10	560	--kg	--kg
PCS/ TRAY	TRAYS/ BOX	QUANTITY	NET WEIGHT	GROSS WEIGHT

P	新增料號	N1704139	Huan_P			04-17'17
O	新增黑色料號	N1612646	Xinling	Jimmy	Kevin	12-20'16
N	重新整理料號	N1609467	Jijin	Jimmy	Kevin	09-09'16
M	新增PA66主體黑色+藍色耳扣料號	N1607387	Siyan	Jimmy	Kevin	08-11'16
L	新增PA10T主體黑色+黑色耳扣 & 主體黑色+藍色耳扣料號	N1607357	Jijin	Jimmy	Kevin	07-22'16
K	新增G/F料號	N1606272	Jijin	Jimmy	Kevin	06-24'16
REV.	DESCRIPTION	ECN NO.	DWN.	CHK.	APVD.	DATE

TOLERANCES UNLESS OTHERWISE SPECIFIED		TITLE		UNIT
X. ±0.50	X.X ±0.30	DDR4 TYPE 288PIN PITCH 0.85mm, H=14.20mm, DIP TYPE.		mm
X.XX ±0.20	X.XXX ±0.15	ORIGINAL DATA		
ANGEL ±3°		12-19'14		
MATERIAL	SEE NOTE	DWN. Xinling		
FINISH	SEE NOTE	CHK. Jimmy		
		APVD. Kevin		
		PART NO.	SCALE	SIZE
		SEE TABLE	1 : 1	A3
		DWG. NO.		REV.
		C-21-0099X-W		P
		SHEET		
		4 OF 4		