

Technical Data:

1.Material:

Contact(metal housing): Copper Alloy with Ni plated
 Terminal screw: Steel galvanized with Cr3+ plated
 Wire guard: Copper Alloy,Tin plated.
 Insulator body(housing): PA66, (UL94V-0) COLOR: PANTON 357C

2.Electrical

Voltage rating: 300VAC
 Current rating: 16 Amps/way max
 Contact resistance: 20mΩ(max)

Withstanding Voltage: 2500VAC(1min) Test time=60sec/1pcs Wire range: 12-26AWG

3.Mechanical:

Operating temperature: -40°C to +105°C
 Soldering reliability:
 Test temperature= 250°C±10°C
 5 seconds max

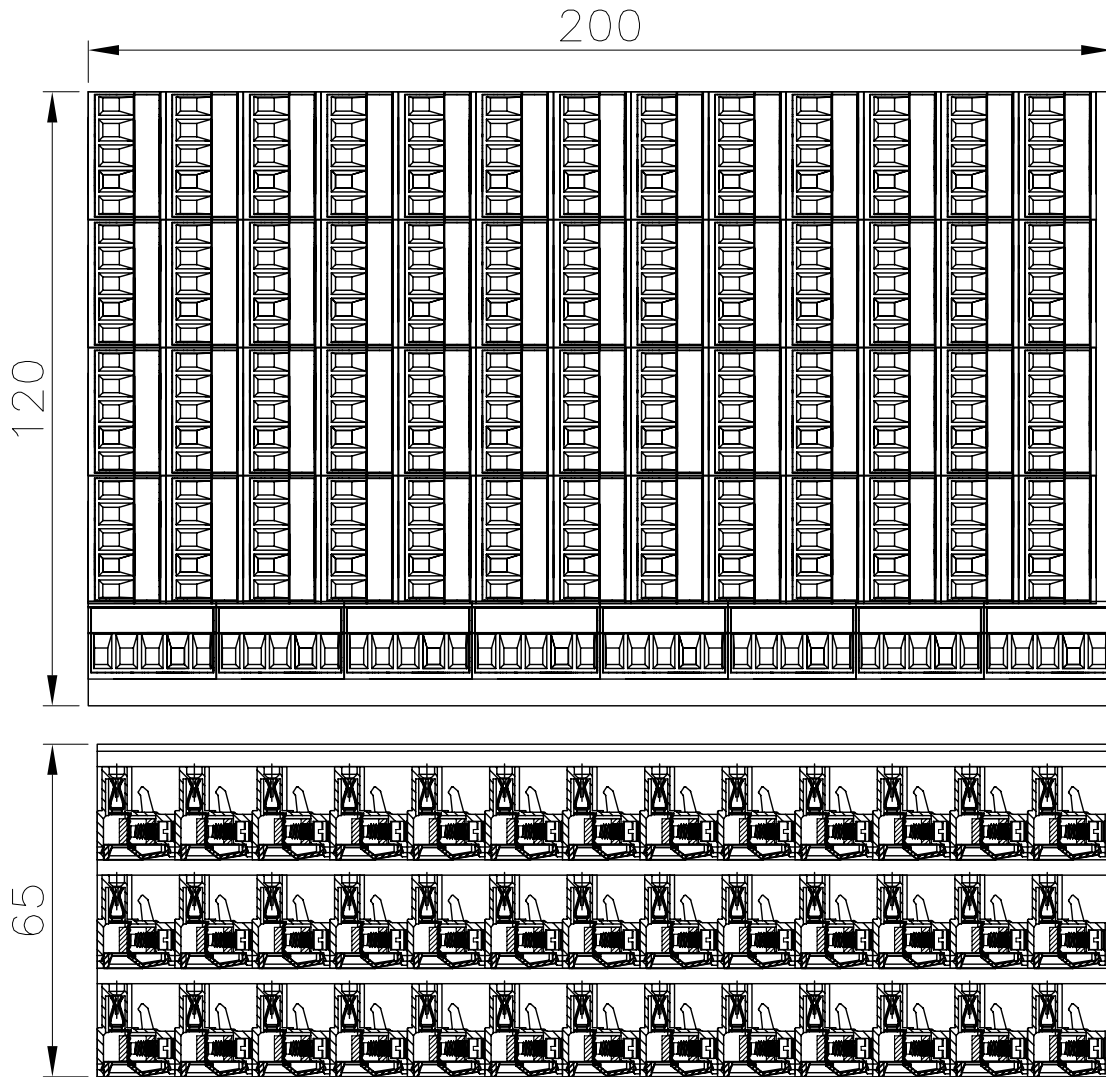
4. The screw external and nut internal threads to withstand a maximum applied torque of 5.0 kgf.cm.

5.Recommended screw mounting hardware less than or equal to note 4 spec.

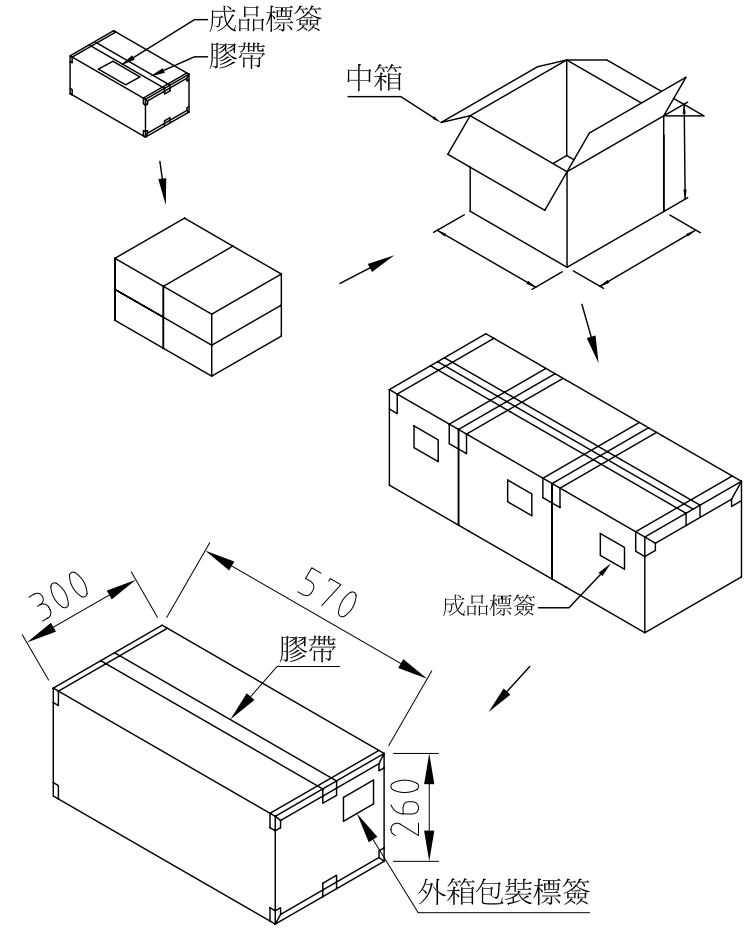
6. 7PIN 無絲印

△	7PIN	RoHS	TIN	99-00844-B054-A
	3PIN	RoHS	TIN	99-00843-B054-A
	PINS	GP TYPE	PLATING	PART NUMBER

REV.	DESCRIPTION	ECN NO.	DWN.	CHK.	APVD.	DATE	TOLERANCES UNLESS OTHERWISE SPECIFIED	TITLE	UNIT
							X. ±0.50 X.X ±0.30 X.XX ±0.20 X.XXX ±0.15 ANGEL ±3°	Female Terminal Block 5.0mm pitch	mm
C	新增7PIN 規格	N1807272	Xinling			07-12'18		ORIGINAL DATA 04-03'15	
B	圖面增加圓點備註	N1612662	Huan_P	Jimmy	Kevin	12-29'16	MATERIAL SEE NOTE	DWN. Peiyun	PART NO. SCALE SIZE REV.
A	FIRST RELEASED	N1504119	Peiyun	Jimmy	Kevin	04-03'15	FINISH SEE NOTE	CHK. Jimmy	SEE TABLE 1 : 1 A3 C
								APVD. Kevin	DWG. NO. C-99-00843 SHEET 1 OF 2



2~4pole一個產品袋袋裝,5~24pole擺裝。



7pin	125	500	1500	19.04Kg	16.355Kg
3pin	250	1000	3000	17.432Kg	15.099Kg
pins	pcs/ inner box	inner box/ in box	pcs/ outside the box	gross weight	net weight

						TOLERANCES UNLESS OTHERWISE SPECIFIED		TITLE Female Terminal Block 5.0mm pitch				UNIT mm		
						X. ±0.50 X.X ±0.30 X.XX ±0.20 X.XXX ±0.15 ANGEL ±3°		ORIGINAL DATA 04-03'15						
C	新增7PIN 規格	N1807272	Xinling		07-12'18	MATERIAL		DWN.	Peiyun				PART NO.	SCALE
B	圖面增加圖點備註	N1612662	Huan_P	Jimmy	Kevin	12-29'16	SEE NOTE		CHK.	Jimmy	99-00843-B054-A	1 : 1	A3	C
A	FIRST RELEASED	N1504119	Peiyun	Jimmy	Kevin	04-03'15	FINISH		APVD.	Kevin	DWG. NO.	SHEET		
REV.	DESCRIPTION	ECN NO.	DWN.	CHK.	APVD.	DATE	SEE NOTE				C-99-00843	2 OF 2		