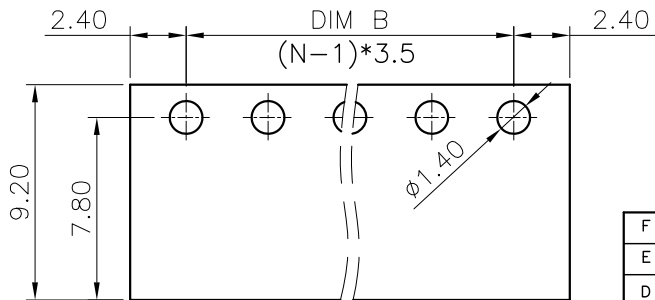
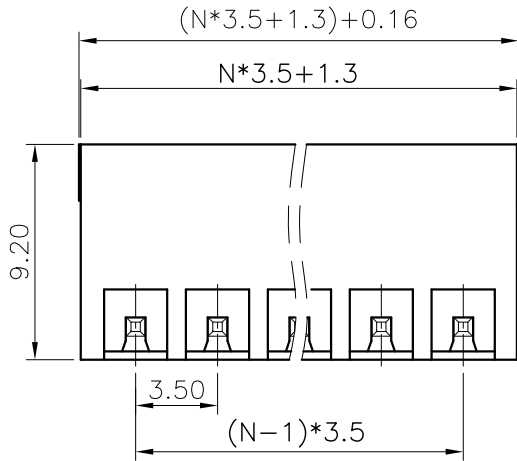


N=Number of contacts



P.C.B. LAYOUT
TOLERANCE = ±0.05

Technical Data:

Material:

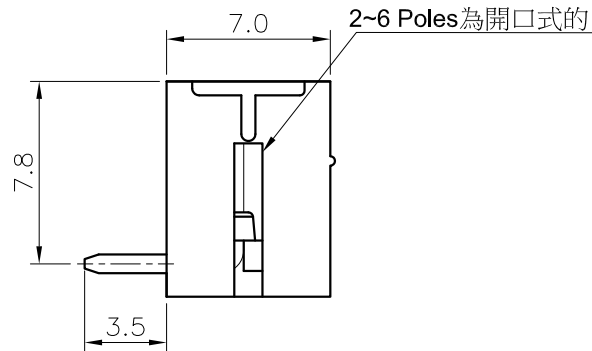
Solder Pin: Copper Alloy Tin plated
Insulator body(housing): PA66, UL94V-0, GREEN 357C

(UL94V-0)Electrical

Voltage rating: 300VAC
Current rating: 12 Amps/way max
Withstanding Voltage: 2500VAC(1min) Test time=60sec/1pcs

Mechanical:

Operating temperature: -40°C to +105°C
Soldering reliability:
Test temperature= 250°C±10°C
5 seconds max



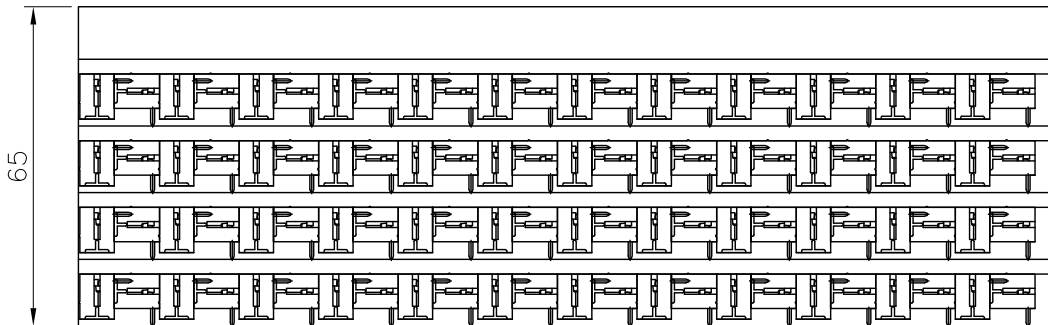
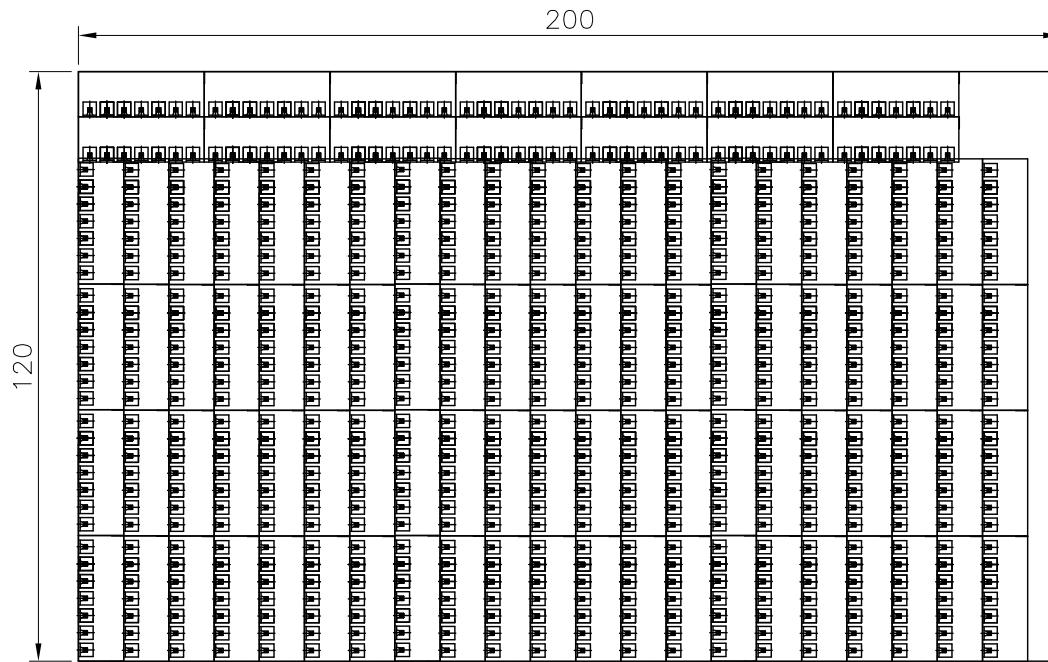
RoHS

TIN

		24	99-0082M-B054-A
		23	99-0082L-B054-A
		22	99-0082K-B054-A
		21	99-0082J-B054-A
		20	99-0082H-B054-A
		19	99-0082G-B054-A
		18	99-0082F-B054-A
		17	99-0082E-B054-A
		16	99-0082D-B054-A
		15	99-0082C-B054-A
		14	99-0082B-B054-A
		13	99-0082A-B054-A
		12	99-00829-B054-A
		11	99-00828-B054-A
		10	99-00827-B054-A
		9	99-00826-B054-A
		3	99-00825-B054-A
		7	99-00820-B054-A
		6	99-00821-B054-A
		5	99-00824-B054-A
		4	99-00822-B054-A
		2	99-00823-B054-A
GP TYPE	PLATING	PINS(POLE)	PART NUMBER

REV.	DESCRIPTION	ECN NO.	DWN.	CHK.	APVD.	DATE
F	增加其它PIN规格	N1907262	Xinling			07-31'19
E	增加尺寸公差	N1711521	Huan_P	Jimmy	Kevin	11-15'17
D	新增2PIN规格	N1711491	Huan_P	Jimmy	Kevin	11-02'17
C	新增4PIN规格	N1612630	Huan_P	Jimmy	Kevin	12-07'16
B	新增6PIN规格	N1606289	Jijin	Jimmy	Kevin	06-24'16
A	FIRST RELEASED	N1504119	Peiyun	Jimmy	Kevin	04-02'15

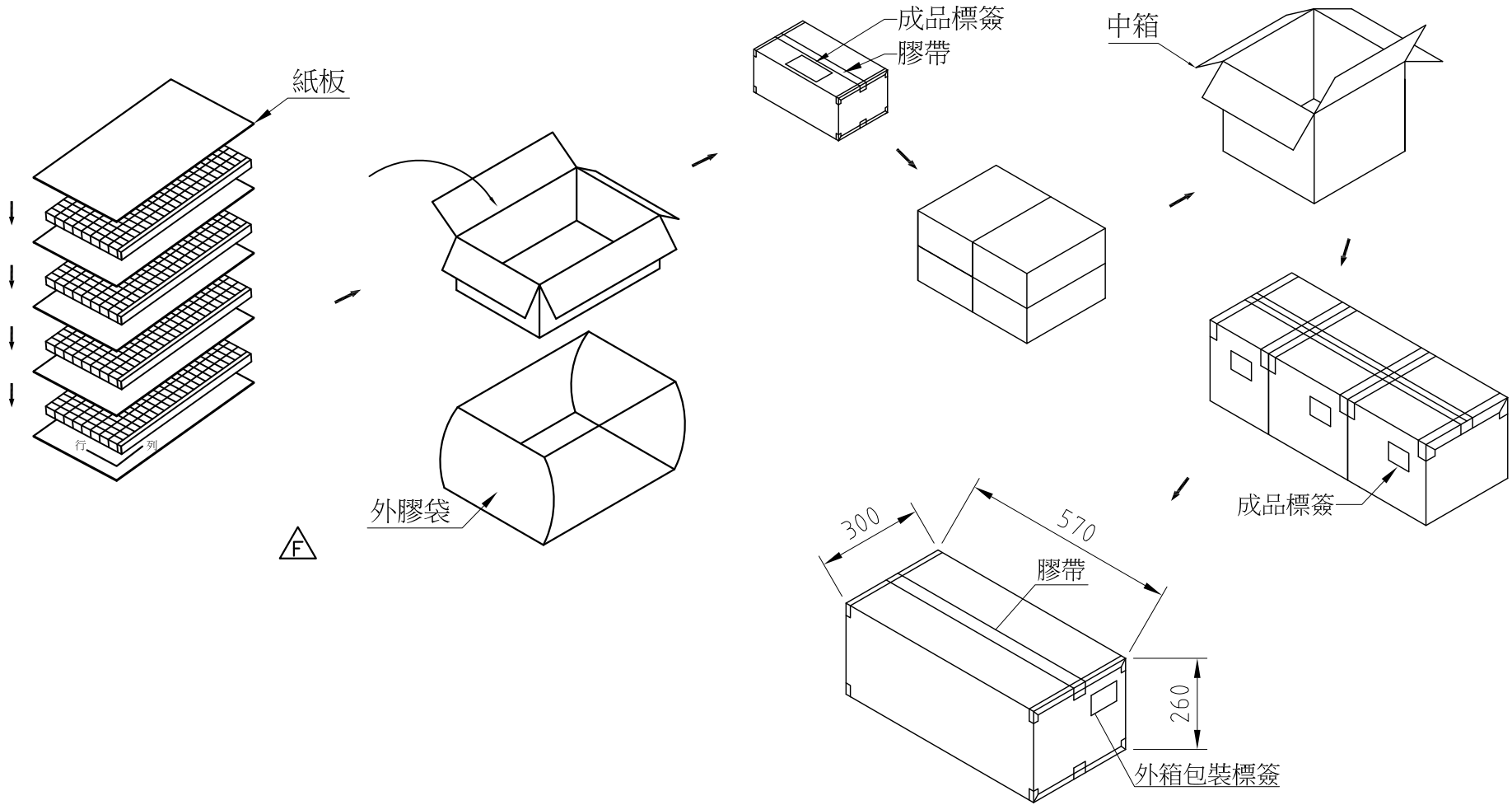
TOLERANCES UNLESS OTHERWISE SPECIFIED		TITLE		UNIT
X. ±0.50	X.X ±0.30	Male Terminal Block 3.5mm pitch		mm
X.XX ±0.20	X.XXX ±0.15	ORIGINAL DATA		
ANGEL ±3°		04-02'15		
MATERIAL	SEE NOTE	DWN. Peiyun		
FINISH	SEE NOTE	CHK. Jimmy		
		APVD. Kevin		
		PART NO.	SCALE	SIZE
		SEE TABLE	1 : 1	A3
		DWG. NO.	SHEET	
		C-99-0082X	1 OF 3	



PINS(POLE)	內盒一層數量	內盒包裝數量	中箱包裝數量	外箱包裝數量
2	袋裝	1300	5200	15600
3		800	3200	9600
4	擺裝	700	2800	8400
5		615	2460	7380
6		480	1920	5760
7		440	1760	5280
9		335	1340	4020
10		285	1140	3420
11		280	1120	3360
12		255	1020	3060
13		240	960	2880
14		220	880	2640
15		215	860	2580
16		190	760	2280
17		190	760	2280
18		180	720	2160
19		155	620	1860
20		140	560	1680
21		140	560	1680
22		130	520	1560
23		130	520	1560
24		125	500	1500

2~4pole一個產品袋袋裝,5~24pole擺裝。

F	增加5PIN規格	N1907262	Xinling			07-31'19	TOLERANCES UNLESS OTHERWISE SPECIFIED X. ±0.50 X.X ±0.30 X.XX ±0.20 X.XXX ±0.15 ANGEL ±3'	TITLE Male Terminal Block 3.5mm pitch			UNIT mm				
E	新增尺寸公差	N1711521	Huan_P	Jimmy	Kevin	11-15'17		ORIGINAL DATA 04-02'15				PART NO. SEE TABLE	SCALE 1 : 1	SIZE A3	REV. F
D	新增2PIN規格	N1711491	Huan_P	Jimmy	Kevin	11-02'17		DWN. Peiyun							
C	新增4PIN規格	N1612630	Huan_P	Jimmy	Kevin	12-07'16		MATERIAL SEE NOTE	CHK. Jimmy	DWG. NO. C-99-0082X	SHEET 2 OF 3				
B	新增6PIN規格	N1606289	Jijin	Jimmy	Kevin	06-24'16		FINISH SEE NOTE	APVD. Kevin						
A	FIRST RELEASED	N1504119	Peiyun	Jimmy	Kevin	04-02'15									
REV.	DESCRIPTION	ECN NO.	DWN.	CHK.	APVD.	DATE									



F

REV.	DESCRIPTION	ECN NO.	DWN.	CHK.	APVD.	DATE	TOLERANCES UNLESS OTHERWISE SPECIFIED	TITLE	UNIT
F	增加5PIN規格	N1907262	Xinling			07-31'19		Male Terminal Block 3.5mm pitch	mm
E	新增尺寸公差	N1711521	Huan_P	Jimmy	Kevin	11-15'17	X. ±0.50	ORIGINAL DATA 04-02'15	
D	新增2PIN規格	N1711491	Huan_P	Jimmy	Kevin	11-02'17	X.X ±0.30		
C	新增4PIN規格	N1612630	Huan_P	Jimmy	Kevin	12-07'16	X.XX ±0.20	DWN. Peiyun	PART NO.
B	新增6PIN規格	N1606289	Jijin	Jimmy	Kevin	06-24'16	X.XXX ±0.15	CHK. Jimmy	SCALE 1 : 1
A	FIRST RELEASED	N1504119	Peiyun	Jimmy	Kevin	04-02'15	ANGEL ±3'	APVD. Kevin	SIZE A3
							MATERIAL		REV. F
							SEE NOTE		SHEET 3 OF 3
							FINISH	DWG. NO. C-99-0082X	
							SEE NOTE		