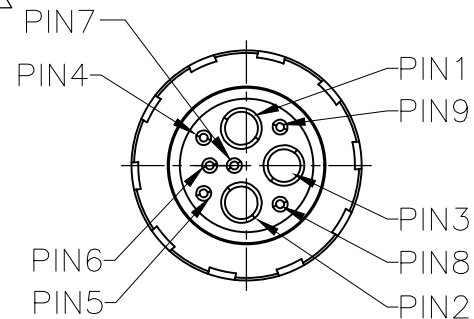
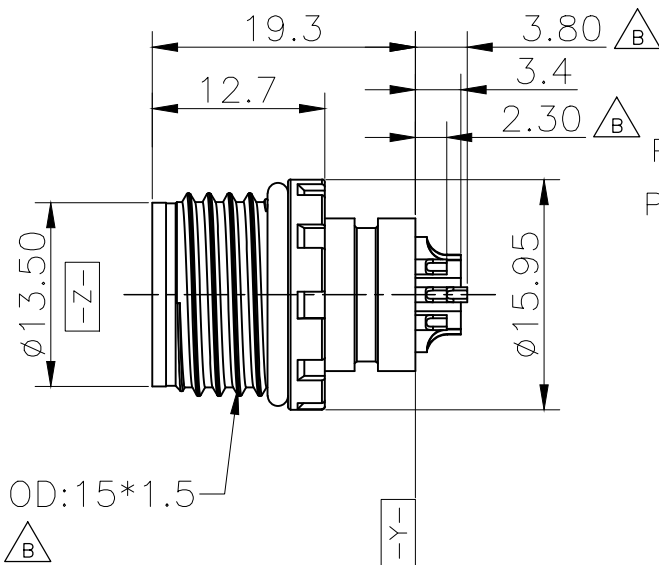
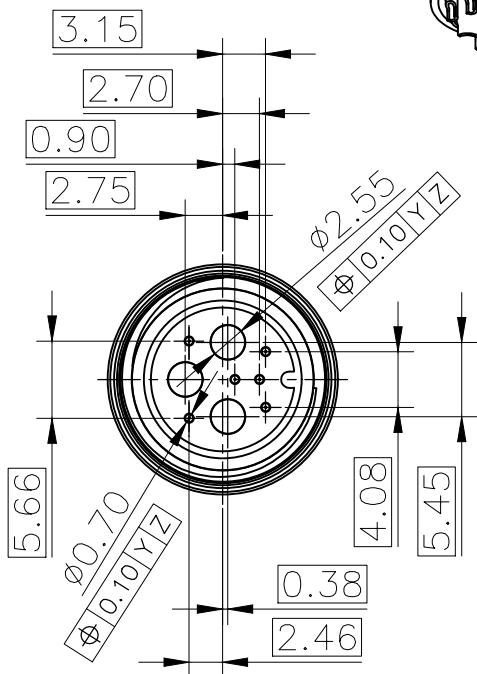


CONNECTOR NOTES:

- HOUSING MATERIAL: NYLON+GF; COLOR: BLACK
NUT MATERIAL: NYLON+GF; COLOR: BLACK
MALE PIN MATERIAL: COPPER ALLOY
O-RING MATERIAL: SILICONE
- PLATING OPTION:
MALE PIN: Au 5u" OVER 80u" Mix. Ni UNDERPLATED.
- CURRENT: 25A(PIN1/2/3) & 2A(PIN4~9)
- DEGREE OF WATERPROOF: IP67(MATED)
- PACKAGED IN TRAY.



RoHS 2+HF

GP TYPE

REV.	DESCRIPTION	ECN NO.	DWN.	CHK.	APVD.	DATE	TOLERANCES UNLESS OTHERWISE SPECIFIED	TITLE	UNIT		
B	CHANGE DIM.	R2111328	Grace			11-02'21	X. ±0.50 X.X ±0.30 X.XX ±0.20 X.XXX ±0.15 ANGEL ±3°	M15 MALE 3+6PIN_CONNECTOR	mm		
A	NEW DRAWING		Grace	Bingo	Victor	09-08'21	MATERIAL SEE NOTE	ORIGINAL DATA 07-29'21			
							FINISH SEE NOTE	DWN. Grace_Yu		PART NO. 98-00640-2001-0	
								CHK. Bingo_Lee	SCALE 1:1	SIZE A3	REV. B
								APVD. Victor_Chang	DWG. NO. C-98-0064X	SHEET 1 OF 2	